



*Fire Your Imagination*

# Studio

## Conventional Flue with Thermostatic Remote Control



**IMPORTANT:**  
FOR EASY TO FOLLOW,  
STEP BY STEP VIDEO  
INSTRUCTIONS ON HOW TO  
OPERATE AND MAINTAIN YOUR  
GAZCO REMOTE SYSTEM GO TO  
[WWW.GAZCO.TV](http://WWW.GAZCO.TV)

# Instructions for Use, Installation and Servicing

For use in GB, IE (Great Britain and Republic of Ireland)

## IMPORTANT

**THE OUTER CASING, FRONT AND GLASS PANEL BECOME EXTREMELY HOT DURING OPERATION AND WILL RESULT IN SERIOUS INJURY AND BURNS IF TOUCHED. IT IS THEREFORE RECOMMENDED THAT A FIREGUARD COMPLYING WITH BS 8423 (LATEST EDITION) IS USED IN THE PRESENCE OF YOUNG CHILDREN, THE ELDERLY OR INFIRM.**

**ENSURE THAT ALL COMBUSTIBLE MATERIALS ARE NOT POSITIONED ABOVE OR NEAR TO THE APPLIANCE OUTER CASING.**

This product contains a heat resistant glass panel. This panel should be checked during Installation and at each servicing interval. If any damage is observed on the front face of the glass panel (scratches, scores, cracks or other surface defects), the glass panel must be replaced and the appliance must not be used until a replacement is installed. Under no circumstances should the appliance be used if any damage is observed, the glass panel is removed or broken.

These Instructions must be left with the appliance for future reference and for consultation when servicing the appliance. Please make the customer aware of the correct operation of the appliance before leaving these instructions with them.

The commissioning sheet found on Page 3 of this Instruction manual must be completed by the Installer prior to leaving the premises.

# Contents

## Studio Conventional Flue

Covering the following models:

Gas Type	Studio 1	Studio 2
Nat Gas	123-007	123-012
LPG	123-603	123-611

<b>Appliance Commissioning Checklist</b> .....	<b>3</b>
<b>User Instructions</b> .....	<b>4</b>
<b>Installation Instructions</b> .....	<b>9</b>
Technical Specifications .....	9
Site Requirements .....	12
Installation .....	14
Commissioning .....	39
<b>Servicing Instructions</b> .....	<b>40</b>
Fault Finding .....	40
How to replace parts .....	42
Spare parts list .....	49
Service Records .....	52
Information Requirements .....	53



If you have purchased your stove or fire from an authorised stockist within our Expert Retailer Network, then automatically your product will carry a 2 year warranty as standard. The 2 year warranty can be further extended to a total warranty period of 5 years by registering your Gazco Stove or Fireplace within one month of the latter of the purchase date or installation date. Accordingly, the start date for the warranty period is the date of purchase. During the registration process, the Expert Retailer details will be required for your Extended Warranty to be activated. Any product purchased outside of our Expert Retailer Network will carry a standard 12 month, non-extendable warranty.

It is a condition of the Extended Warranty that the installation complies with the relevant Building Regulations and is carried out by a suitably trained and qualified individual (GasSafe in the UK or equivalent in other countries) with the certificate of installation and the Commissioning Report on Page 3 completed and retained by the end user.

Full terms and conditions are detailed in the Warranty Statement on the Gazco website [www.gazco.com](http://www.gazco.com). In the event of any conflict of information the wording on the website shall prevail.

**Important Note:** Should any problems be experienced with your product, claims must first be submitted to the Expert Retailer where the appliance was purchased from who will offer immediate assistance or contact Gazco on your behalf.



**It is a requirement of the Building Regulations 2010 that the installation of this appliance is notified to the Local Authority. It is the responsibility of the GasSafe registered installer to carry out this notification to the Local Authority via the GasSafe register Competent Persons Scheme in England and Wales (different rules apply in Scotland and Northern Ireland).**

**When the installation has been notified, GasSafe will send a Building Regulations Compliance Certificate to you containing details of the work completed. Please ensure that the person responsible for the installation of this appliance completes this notification and records it in the Appliance Commissioning Checklist on page 3.**

**IT IS YOUR RESPONSIBILITY TO COMPLY WITH THE BUILDING REGULATIONS AND BE ABLE TO PRODUCE THIS CERTIFICATE SHOULD IT BE REQUIRED IN THE FUTURE.**

# Appliance Commissioning Checklist

To assist us in any guarantee claim please complete the following information:-

## IMPORTANT NOTICE

Explain the operation of the appliance to the end user, hand the completed instructions to them for safe keeping, as the information will be required when making any guaranteed claims.

FLUE CHECK	PASS	FAIL
1. Flue Is correct for appliance		
2. Flue flow Test N/A		
3. Spillage Test N/A		
GAS CHECK	PASS	FAIL
1. Gas soundness & let by test		
2. Standing gas pressure	mb	
3. Appliance working pressure (on High Setting) Minimum Pressure Requirement: NG - 17.5mbar LPG - 34.5mbar NB All other gas appliances must be operating on full	mb	
4. Gas rate	m <sup>3</sup> /h	
5. Does Ventilation meet appliance requirements N/A		
SAFETY CHECK		
1. Check soundness of the Thermocouple connections - including tightness and lead integrity		
2. Glass checked to ensure no damage, scratches, scores or cracks		
BUILDING CONTROL NOTIFICATION	YES	NO
1. Installer notified GasSafe/Local Authority of installation via Competent Persons Scheme?		

## RETAILER AND INSTALLER INFORMATION

<b>Retailer</b> .....	<b>Installation Company</b> .....
.....	.....
.....	.....
<b>Contact No.</b> .....	<b>Engineer</b> .....
.....	.....
<b>Date of Purchase</b> .....	<b>Contact No.</b> .....
.....	.....
<b>Model No.</b> .....	<b>GasSafe Reg No.</b> .....
.....	.....
<b>Serial No.</b> .....	<b>Date of Installation</b> .....
.....	.....
<b>Gas Type</b> .....	

# User Instructions

## Welcome

*Congratulations on purchasing your Studio fire, if installed correctly Gazco hope it will give you many years of warmth and pleasure for which it was designed.*

*The purpose of this manual is to familiarise you with your appliance, and give guidelines for its installation, operation and maintenance. If, after reading, you need further information, please do not hesitate to contact your Gazco retailer.*

## WARNING



**In the event of a gas escape or if you can smell gas, please take the following steps:**

- Immediately turn off the gas supply at the meter/emergency control valve
- Extinguish all sources of ignition
- Do not smoke
- Do not operate any electrical light or power switches (On or Off)
- Ventilate the building(s) by opening doors and windows
- Ensure access to the premises can be made

**Please report the incident immediately to the National Gas Emergency Service Call Centre on 0800 111 999 (England, Scotland and Wales) , 0800 002 001 (N. Ireland) or in the case of LPG, the gas supplier whose details can be found on the bulk storage vessel or cylinder.**

**The gas supply must not be used until remedial action has been taken to correct the defect and the installation has been recommissioned by a competent person.**

## 1. General

- 1.1 Installation and servicing must only be carried out by a competent person whose name appears on the GasSafe register. To ensure the engineer is registered with GasSafe they should possess an ID Card carrying the following logo:



- 1.2 In all correspondence, please quote the appliance type and serial number, which can be found on the data badge located on a plate under the main burner.
- 1.3 Do not place curtains above the appliance: You must have 300mm clearance between the appliance and any curtains at either side.

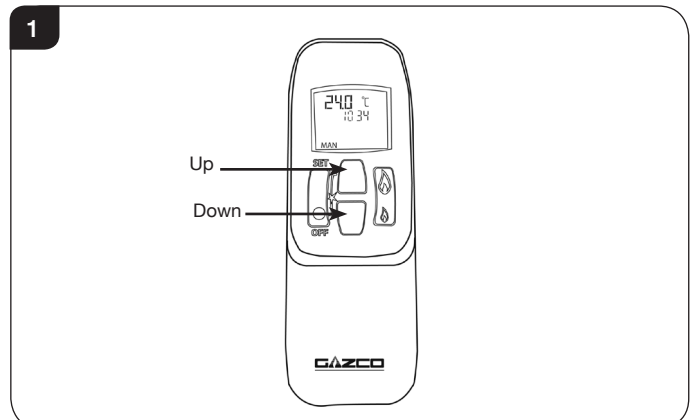
- 1.4 No furnishings or other objects should be placed within 1 metre of the front of the appliance.
- 1.5 If a shelf is fitted, a distance of 400mm above the appliance is required.
- 1.6 If any cracks appear in the glass panel do not use the appliance until the panel has been replaced.
- 1.7 This product is guaranteed for 5 years from the date of installation, as set out in the terms and conditions of sale between Gazco and your local Gazco retailer. Please consult with your local Gazco retailer if you have any questions. In all correspondence always quote the Model Number and Serial Number.



**IMPORTANT: NEVER position a television or screen above this appliance.**

## 2. Operating the Appliance

The appliance is operated by thermostatic remote control.



- 2.1 **Turning the appliance On:**  
Your remote can control the gas fire from pilot ignition through to shut down.
- To turn the fire on press the OFF button and the UP button simultaneously. You hear several short signals.  
**The pilot and main burner ignite and the remote is now in Manual Mode.**



**IMPORTANT: YELLOW FLAMES TYPICALLY APPEAR WHEN THE APPLIANCE HAS REACHED NORMAL OPERATING TEMPERATURE. THIS CAN TAKE UP TO 30 MINUTES.**



**WARNING: IF THE APPLIANCE FAILS TO LIGHT OR BECOMES EXTINGUISHED IN USE, WAIT 3 MINUTES BEFORE ATTEMPTING TO RELIGHT.**

- 2.2 There are 3 different modes available for controlling and operating the appliance:
1. Manual Mode
  2. Temp Mode (Automatic)
  3. Timer Mode (Automatic)

# User Instructions

- 2.3 In **MANUAL MODE** you can:
- turn on the main burner using the UP button
  - regulate the flame from high to low and back
  - turn off the burner leaving just the pilot burning
- In **TEMP MODE (Automatic)** you can:
- set the room temperature so the thermostat in the remote automatically maintains that temperature
- In **TIMER MODE (Automatic)** the fire:
- turns on and off according to the set time periods
  - automatically regulates the room temperature during the set periods

**i** **NOTE: When operating the fire in Temp or Timer mode, the pilot remains lit and the fire then automatically switches on at programmed times to bring the room to the set temperature whether or not you are in the room. NEVER LEAVE ANY COMBUSTIBLE MATERIALS WITHIN 1 METRE OF THE FRONT OF THE APPLIANCE.**

## Switching Between Modes

- 2.4 Press the SET button to change to Temperature Mode. Press again to change to Timer Mode. Keep pressing to run through all operating modes. These are:
- MAN
  - DAY TEMP
  - NIGHT TEMP
  - TIMER
- and back to MAN

**NOTE: MAN mode can also be reached by pressing either the UP or DOWN button.**

## Manual Mode

- 2.5 Press the OFF button and the UP button simultaneously. You hear several clicks and audible beeps as the fire begins the ignition process, (up to 30 seconds).

### Turning the appliance Off:

Press the OFF button to turn the appliance off.

**FOR SAFETY, YOU MUST WAIT 30 SECONDS BEFORE LIGHTING THE FIRE AGAIN.**

### Increasing the Flame Height:

Press the UP button once to increase flame height one stage. Press and hold the UP button to increase to maximum.

### Decreasing the Flame Height:

Press the DOWN button once to decrease flame height one stage. Press and hold the DOWN button to decrease to minimum. At the lowest point the fire goes to 'Standby Mode' (Only Pilot lit).

**i** **NOTE: While pressing a button a symbol indicating transmission appears on the display. The receiver confirms transmission with a sound signal.**

## Temp Mode (Automatic)

- 2.6 The display shows the current **room** temperature.

To increase or decrease the fire's output:

Press the SET button to select either the DAY TEMP or the NIGHT TEMP mode by briefly pressing the SET button.

Hold the SET button until the TEMP display flashes and then let go.

Set the desired temperature with the UP and DOWN arrows. (Minimum temperature 5C, maximum 40C or 40F to 99F when Fahrenheit is the preferred option).

Press the OFF button to stop the display flashing or wait to return to TEMP mode.

**i** **NOTE: If you set a temperature that is beneath the current room temperature, the fire automatically switches to PILOT (Stand by).**

**If you would like the Night temperature control to turn off then decrease the temperature until [--] is displayed.**

## Timer Mode (Automatic)

- 2.7 There are two programmable settings you can make over a 24 hour period, P1 and P2. These are normally used to provide an early morning and evening setting for each working week:

P1 + ● = Start Timed Setting 1  
 P1 + ☞ = End of Timed Setting 1  
 P2 + ● = Start Timed Setting 2  
 P2 + ☞ = End of Timed Setting 2

- 2.8 **P1 - Program 1 for a Timed Setting**

Press the SET button until the TIMER mode is displayed.

Hold the SET button. The displays flashes the current time for P1. **While the time displayed is flashing you can alter the hours and minutes set.**

To set the time your fire first lights, change P1 ●:

- Press the UP button to alter the hour
- Press the DOWN button to alter the minutes in 10 minute increments

Press SET again to move to the end setting for P1 ☞. This is the time your Studio first shuts down:

- Press the UP button to alter the hour
- Press the DOWN button to alter the minutes

- 2.9 **P2 - Program 2 for a Timed Setting**

Use the same steps outlined in 2.8 to change the setting for P2.

If you have already set P1 and want to alter the setting for P2 only:

- Press the SET button until TIMER mode is displayed
- Hold the SET button **until the display flashes the current time** for P1 ●
- Press the SET button once again to scroll past the settings for P1 ● and P1

# User Instructions

With the time still flashing:

- Press the UP button to alter the hour
- Press the DOWN button to alter the minutes

Once all four times are set press the OFF button.

2.10 To view existing settings:

- Select Timer Mode
- Press and briefly hold the SET button you see the start time for P1
- Repeat the above step for the start and end of each program

## Low Battery

“BATT” is displayed on the remote when its batteries need replacement.

## Setting the time

Simultaneously press the up and down buttons.

Press the up button to set the hour and the down button to set the minutes.

Press OFF to return to the manual mode or simply wait.

## Setting the °C/24 Hour or °F/12 Hour clock

Press OFF and the down arrow until the display changes from °C/24 hour clock to °F/12 hour clock and vice versa.



If the remote is removed, lost or damaged, signals transmitted to the receiver cease. Your fire will go to standby (pilot) mode after 6 hours.

## Troubleshooting



**IMPORTANT:** In the unlikely event that the handset fails to communicate correctly with the appliance it may be necessary to turn off the gas supply at the isolation valve until any problems can be resolved.

The gas meter and isolation valve can be located outside in a meter box, under the stairs, beneath the kitchen sink or in the garage. Whilst this list is not exhaustive, it is important to be able to identify the location of the valve in case of any gas emergency.

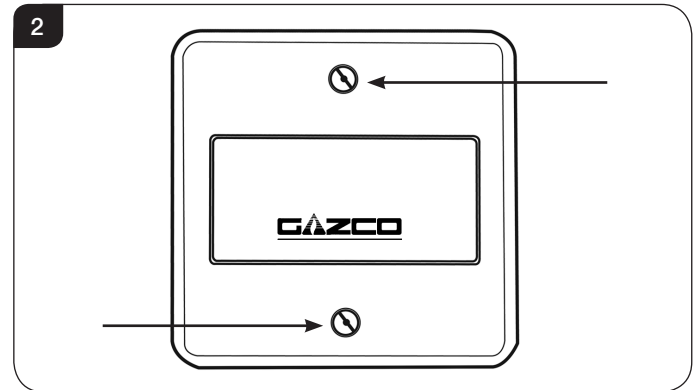
To turn off the gas supply, simply turn the handle so the lever is at 90 degrees to the upright gas pipe.

If you smell gas, open doors and windows and never operate any electrical switches. Immediately call the Gas Emergency Services on 0800 111 999.

## 3. Changing the Appliance Batteries

The appliance batteries are located behind the wall plate.

3.1 Undo the two screws securing the wall plate and remove, see Diagram 2.

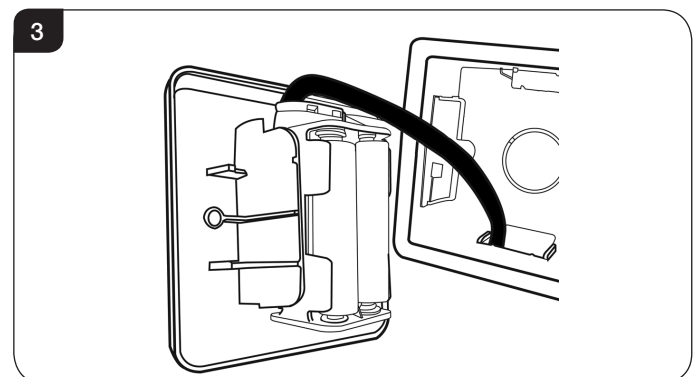


3.2 Unclip the battery holder from the wall plate and remove the old batteries.



It is essential to use high quality batteries (Duracell or equivalent) when replacing batteries in the handset or control box.

3.3 Correctly position the four new AA size batteries into the battery holder. Re-assemble the battery holder as shown in Diagram 3.



**PLEASE ENSURE NO WIRES ARE TRAPPED BEFORE REPLACING THE WALL PLATE. THE LEAD IS EASILY DAMAGED.**

# User Instructions

## 4. Cleaning the Studio

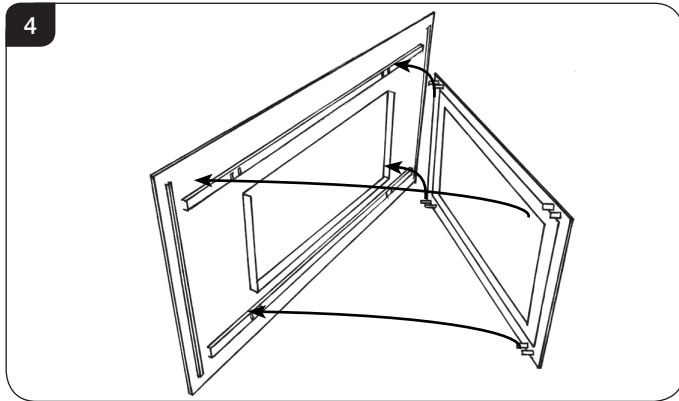
- 4.1 Make sure the appliance and surrounds are cool before cleaning.
- 4.2 Use:
- A damp cloth for the painted frame
  - A damp cloth to clean the inner panels (Black Glass version only)
  - Soap and water to clean the glass

### Opening the Glass Window

#### 4.3 Steel, Verve or Glass Frame

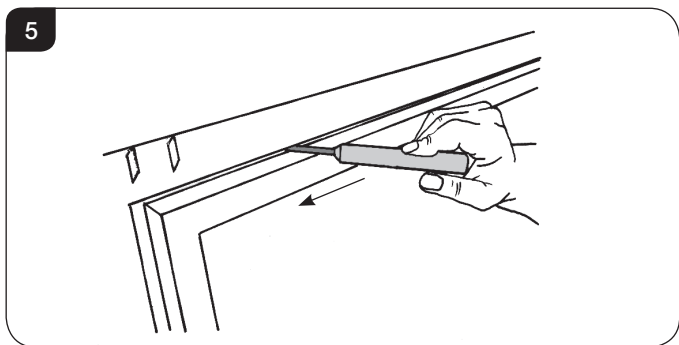
If fitted with a Steel, Verve or Glass Frame, this needs to be removed first:

- 4.4 Lift the frame upwards off its four support brackets, see Diagram 4.

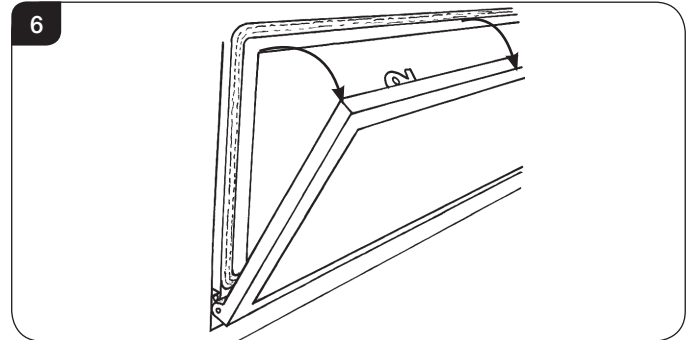


#### All models

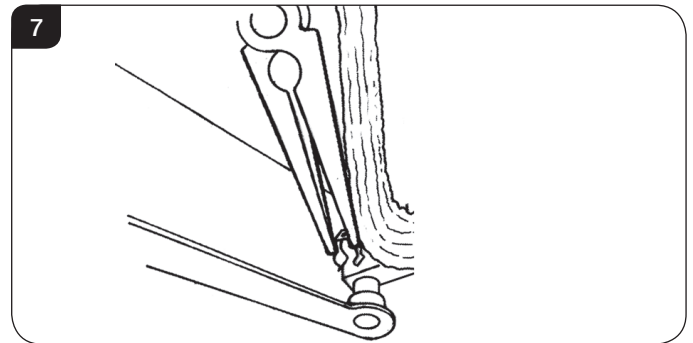
- 4.5 To open the glass door use the hexagon key provided.
- 4.6 Release the window locks by moving them from shut to open towards the outer edges, see Diagram 5.



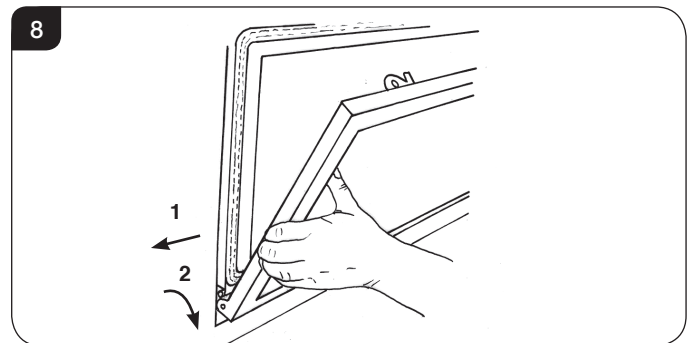
- 4.7 To completely remove the glass front:
- 4.8 Support the frame and lower it gently forward down to its natural stop position, see Diagram 6.  
**DO NOT EXERT PRESSURE ON THE DOOR ONCE THERE IS RESISTANCE.**



- 4.9 Remove the securing spring clip from the bottom-right of the window frame, see Diagram 7.



- 4.10 With the window frame in an upright position slide the frame to the left so that it comes off the left hinge pin, see Diagram 8 (1).
- 4.11 Still keeping the frame upright drop the left side down and forward slightly, see Diagram 8 (2).



- 4.12 Slide the frame to the right so it comes off the right hinge pin. The window frame should now be free.
- 4.13 Refit the Window Frame Assembly in reverse order.

**When closing the door ensure the door catches are fully engaged.**



**UNDER NO CIRCUMSTANCES SHOULD THE APPLIANCE BE USED WITHOUT THE CATCHES HOLDING THE DOOR IN PLACE.**

# User Instructions

## 5. Flame Failure Device

- 5.1 This is a safety feature incorporated on this appliance which automatically switches off the gas supply if the pilot goes out and fails to heat the thermocouple.

**IF THIS OCCURS DO NOT ATTEMPT TO RELIGHT THE APPLIANCE FOR 3 MINUTES.**

## 6. Running In

- 6.1 During initial use of a new GAZCO appliance a strong odour will be encountered as various surface coatings become hot for the first time. Although these odours are harmless it is recommended that the appliance is operated on maximum for 4 to 8 hours in order to fully burn off these coatings. After this period the odours should then disappear.

If the odours persists, please contact your installer for advice.

- 6.2 During the first few hours of burning there may be discolouration of the flames. This will also disappear after a short period of use.

## 7. Servicing

- 7.1 The appliance must be serviced every 12 months by a qualified GasSafe Engineer. In all correspondence always quote the Model number and the Serial number which may be found on the Commissioning Checklist (Page 3).

## 8. Ventilation

- 8.1 Any purpose provided ventilation should be checked periodically to ensure that it is free from obstruction.

## 9. Installation Details

- 9.1 Your installer should have completed the commissioning sheet at the front of this book. This records the essential installation details of the appliance. In all correspondence always quote the Model number and Serial number.

## 10. Hot Surfaces

- 10.1 Parts of this appliance become hot during normal use.
- 10.2 Regard all parts of the appliance as a working surface.
- 10.3 Provide a suitable fire guard to protect young children and the infirm.

## 11. Appliance will not light

If you cannot light the Studio:

- 11.1 Check and change the batteries in the remote handset.
- 11.2 Check and change the appliance batteries (see Section 3).
- 11.3 Consult your Gazco retailer or installer if the Studio still does not light.



# Installation Instructions

## Technical Specification

Covering the following models:

Gas Type	Studio 1	Studio 2
Nat Gas	123-007	123-012
LPG	123-603	123-611

### All Models

Model	Gas CAT.	Gas Type	Working Pressure	Aeration	Injector	Gas Rate m <sup>3</sup> /h	Input kW (Gross)		Country
							High	Low	
Studio 1	I <sub>2</sub> H	Natural Gas G20	20mbar	3mmØ (Q)	360	0.600	6.3	4.0	GB, IE
	I <sub>3</sub> P	Propane G31	37mbar	Blank (A) + 16mm x 23mm	180	0.260	6.9	3.5	GB, IE
Studio 2	I <sub>2</sub> H	Natural Gas G20	20mbar	6mm x 15mm (B)	530	0.809	8.5	4.4	GB, IE
	I <sub>3</sub> P	Propane G31	37mbar	5mmØ (M) + 16mm x 23mm	150	0.316	8.5	4.4	GB, IE
<b>Studio 1 - Efficiency Class 2 - 72% / NOx Class 4</b>									
<b>Studio 2 NG - Efficiency Class 2 - 81% / NOx Class 4</b>									
<b>Studio 2 LPG - Efficiency Class 1 - 82% / NOx Class 4</b>									
Flue Size - TOP EXIT 128mm ø									
Gas Inlet Connection Size = 8mm ø									
Minimum Flue Specification = T250/N2/O/D/1									
Maximum Flue Temp = 220°C									

Weight	Appliance Only	Profil	Bauhaus	Steel
Studio 1	52 Kg	3.6 Kg	3.6Kg	18.5Kg
Studio 2	60Kg	4.6Kg	4.6Kg	21.8Kg

**i** The net efficiency of this appliance has been measured as specified in EN613:2001 and the result after conversion to gross using the appropriate factor from Table E4 of SAP 2012 is 66.3% for the Studio 1, 73.0% for the Studio 2 NG and 75.5% for the Studio 2 LPG. The test data has been certified by Kiwa Nederland BV. The gross efficiency value may be used in the UK Government's Standard Assessment Procedure (SAP) for energy rating of dwellings.

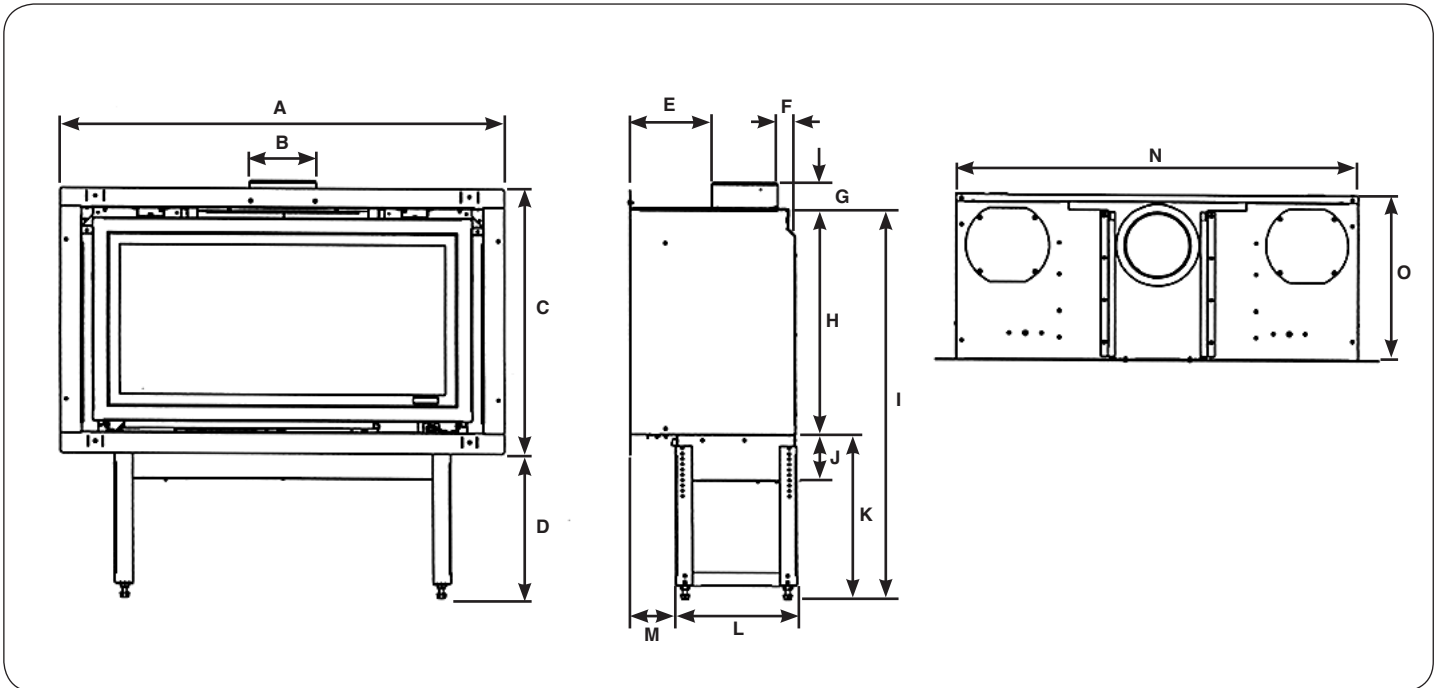
# Installation Instructions

## Technical Specification

This appliance has been certified for use in countries other than those stated. To install this appliance in these countries, it is essential to obtain the translated instructions and in some cases the appliance will require modification. Contact Gazco for further information.

### PACKING CHECKLIST

Qty Description	Fixing Kit containing:
<b>Stone &amp; Pebble Effect Version</b>	1 x Instruction Manual
1 x White Stone Chippings	6 x Wood Screws
1 x Pebble Set	6 x Wall Plugs
	1 x Handset
<b>Log Version</b>	4 x AA cell batteries
1 x Log Set	1 x 9v cell battery
1 x Lava Rock	1 x Wall box
1 x Slate	1 x Wall plate
	1 x Battery holder
<b>Driftwood Log Version</b>	1 x Foam seal
1 x Driftwood Log Set	1 x Quick Start Guide
1 x Lava Rock	1 x Door Tool
1 x Slate	2 x Wall Plate Screw
	1 x Bag Embaglow material



Model	A	B	C	D	E	F	G	H	I	J	K	L	M	N	O
Studio 1	829	128	501	272	156	33	50	428	738	86	310	229	85	752	315
Studio 2	1029	128	501	272	156	33	50	428	738	86	310	229	85	952	315

# Installation Instructions

## Technical Specification

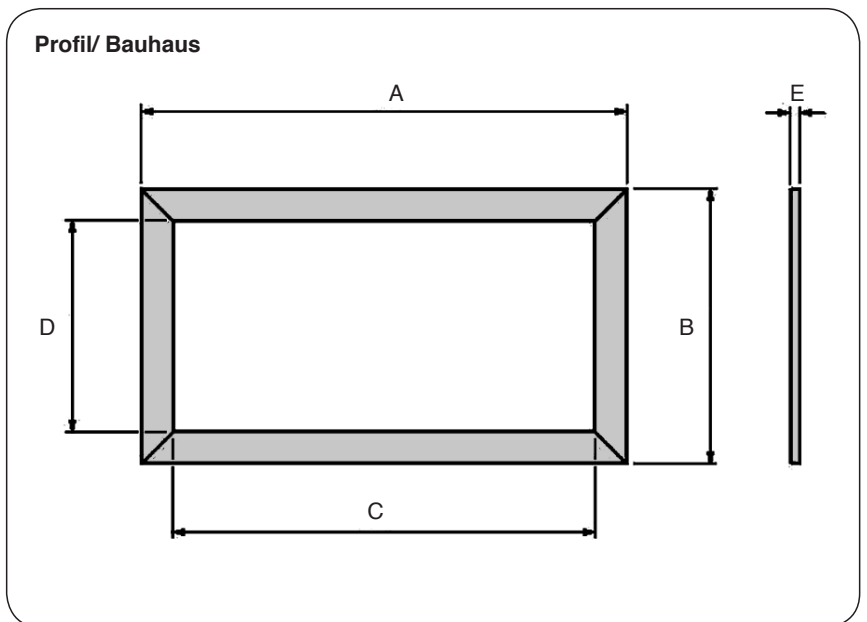
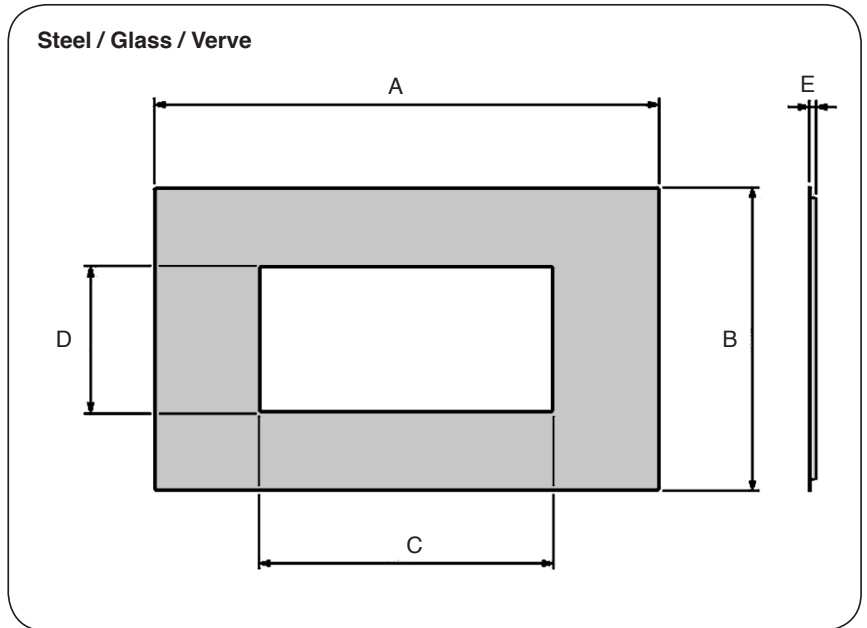
Steel Fronts					
Model	A	B	C	D	E
Studio 1	1264	528	846	320	27
Studio 2	1500	528	846	320	27

Glass Fronts					
Model	A	B	C	D	E
Studio 1	1264	528	650	324	29
Studio 2	1500	528	852	324	29

Verve Fronts					
Model	A	B	C	D	E
Studio 1	1264	528	650	324	53
Studio 2	1500	528	850	324	53

Profil Fronts					
Model	A	B	C	D	E
Studio 1	846	520	750	424	12.5
Studio 2	1046	520	950	424	12.5

Bauhaus Fronts					
Model	A	B	C	D	E
Studio 1	860	534	750	424	28
Studio 2	1060	534	950	424	28



# Installation Instructions

## Site Requirements

### 1. Flue & Chimney Requirements

**WHEN INSTALLING A FLUE SYSTEM PLEASE REFER TO THE MANUFACTURER'S INSTRUCTIONS.**

The European chimney standards now describe chimneys and flues by their temperature, pressure and resistance to corrosion, condensation and fire. To identify the correct flue system, the minimum flue specification is shown in the Technical Specification. Existing chimneys are not covered by this system.

The flue must be installed in accordance with all local and national regulations and the current rules in force:

- 1.1 A flexible liner must be continuous from the appliance spigot to the roof terminal.
- 1.2 The minimum effective height of the flue must be 3m (10').
- 1.3 The flue must be free from any obstruction.
- 1.4 Any damper plates must be removed or secured in the fully open position and no restrictor plates fitted.
- 1.5 The chimney should be swept immediately before installing the appliance, but it need not be swept if you can see the chimney is clean and free from obstruction throughout.

### 2. Flue Options

There are three suitable Conventional Flues:

- Stud work is Top Exit only - Twin Wall Rigid  
127mm (5")
- Top Exit - Builder's Opening Lined  
127mm (5")
- Rear Exit - Builder's Opening Unlined  
178mm (7") minimum

### 3. Gas Supply

**This appliance is intended for use on a gas installation with a governed meter.**

- 3.1 Make sure local distribution conditions (identification of the type of gas and pressure) and the adjustment of the appliance are compatible before installation.
- 3.2 Ensure the gas supply delivers the required amount of gas and is in accordance with the rules in force.
- 3.3 Soft copper tubing can be used on the installation and soft soldered joints outside the appliance and below the firebed.
- 3.4 A factory fitted isolation device is part of the inlet connection; no further isolation device is required.

- 3.5 All supply gas pipes must be purged of any debris that may have entered prior to connection to the appliance.
- 3.6 The gas supply enters through the silicone panel located on the LEFT-HAND side of the outer box. Slit with a sharp knife prior to passing the supply pipe through.
- 3.7 The gas supply must be installed in a way that does not restrict the removal of the appliance for servicing and inspection.

### 4. Ventilation

**IMPORTANT: Ensure any national ventilation requirements are taken into account during installation of the appliance.**

**UK ONLY:**

The Studio 1 has a nominal input not exceeding 7.0kW and does not normally require any additional permanent ventilation.

The Studio 2 must have permanent ventilation with a minimum open area of 5.85cm<sup>2</sup>.

If however, spillage is detected when commissioning the appliance, there may be insufficient natural ventilation and additional ventilation may be required.

**FOR THE REPUBLIC OF IRELAND REFER TO THE RULES IN FORCE FOR VENTILATION REQUIREMENTS.**

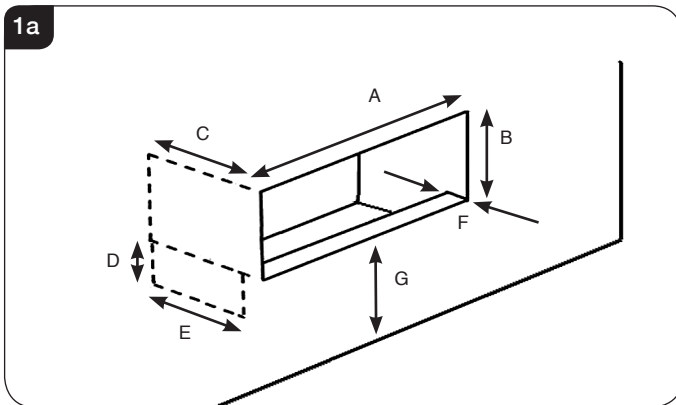
# Installation Instructions

## Site Requirements

### 5. Appliance Location

**NOTE: It is recommended you construct the back panel of the fireplace from natural materials cut into three or more sections to prevent cracking. Resin-based materials may not be suitable. This appliance is an effective heat producer and attention must be paid to the construction and finish of the fireplace.**

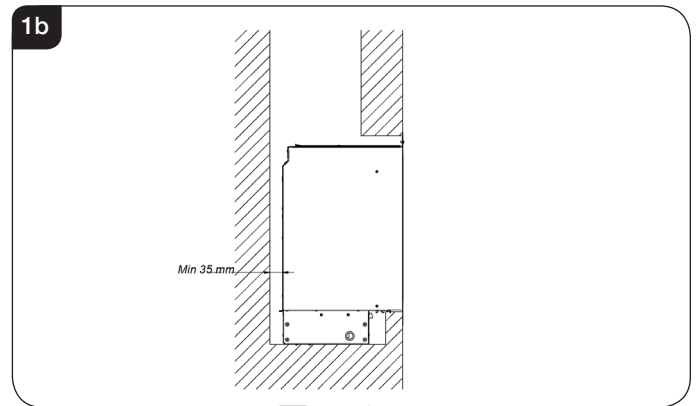
- 5.1 When preparing the aperture for installation into a builder's opening, the front of the wall must be cut out down to the level on which the appliance is to stand. Then, to obtain the correct dimensions shown in Diagram 1a, the lower section of wall must be reconstructed as shown in Diagram 1a.



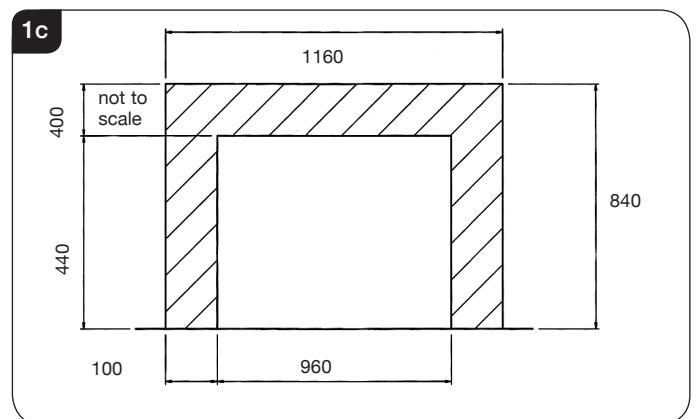
	Studio 1	Studio 2
<b>A</b>	760mm	960mm
<b>B</b>	440mm	440mm
<b>C</b>	350mm	350mm
<b>D</b>	85mm	85mm
<b>E</b>	305mm	305mm
<b>F</b>	45mm max	45mm max
<b>G</b>	175mm min	175mm min

- 5.2 This appliance must stand on a non-combustible base that is at least 12mm thick; the minimum opening dimensions are shown in Diagram 1a.

- 5.3 When the appliance is installed in a masonry chimney without a liner, there must be a minimum debris collection area, see Diagram 1b.



- 5.4 **DO NOT** install onto a combustible wall; all combustible materials must be removed from the area shown in Diagram 1c.



- 5.5 A combustible shelf must be a minimum of 400mm above the top of the appliance. This is based on a 150mm deep shelf. For every extra 13mm of depth add 25mm above the 400mm from the top of the appliance, not the frame.
- 5.6 A side wall must be a minimum of 300mm from the side of the appliance, not the frame.

# Installation Instructions

## 1. Safety Precautions

- 1.1 For your own and other's safety, you must install this stove according to local and national codes of practice. Failure to install the stove correctly could lead to prosecution. **Read these instructions before installing and using this appliance.**
- 1.2 These instructions must be left intact with the user.
- 1.3 Do not attempt to burn rubbish on this appliance.
- 1.4 Keep all plastic bags away from young children.
- 1.5 Do not place any object on or near to the appliance and allow adequate clearance above the appliance.

**IF THE APPLIANCE IS EXTINGUISHED OR GOES OUT IN USE, WAIT 3 MINUTES BEFORE ATTEMPTING TO RELIGHT THE APPLIANCE.**

- 1.6 The appliance is fitted with an oxygen sensitive pilot that will act to cut off the gas supply to the appliance in the event of incorrect operation of the flue.  
If the system acts to shut off the gas supply, this indicates that there is insufficient flue pull. Continued operation of this safety device means that there may be a serious problem with the flue system, and this should be inspected by a qualified GasSafe engineer. **Do not use the appliance until an engineer says it is safe to do so.**  
The oxygen sensitive pilot must not be tampered with. Use only genuine Gazco replacement parts when servicing the appliance - refer to Servicing section.



**IMPORTANT: REFER TO DATA BADGE AND TECHNICAL SPECIFICATION AT THE FRONT OF THE MANUAL TO ENSURE THE APPLIANCE IS CORRECTLY ADJUSTED FOR THE GAS TYPE AND CATEGORY APPLICABLE IN THE COUNTRY OF USE.**

**FOR DETAILS OF CHANGING BETWEEN GAS TYPES REFER TO SERVICING, SECTION 16, REPLACING PARTS.**

## Unpacking

- 1.7 Remove the appliance from its packaging, and check that it is complete and undamaged.  
  
Put the loose ceramic parts to one side so that they are not damaged during installation.

## 2. Installation of the Appliance

**THERE IS AN OPTIONAL DUCT KIT, CODE No. 8572, WHICH CAN BE FITTED AT THE SAME TIME AS THE APPLIANCE INSTALLATION.**

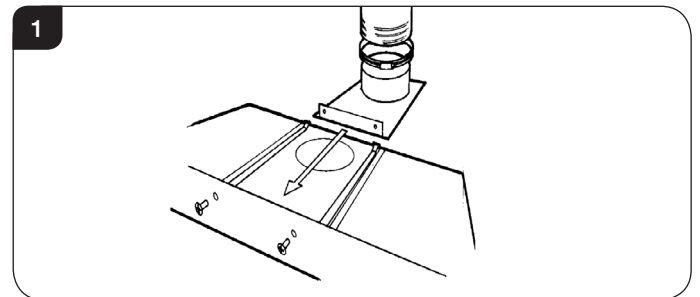
- 2.1 This appliance can be installed in four different ways:
  - 1) Builder's opening with a frame
  - 2) Builder's opening without a frame
  - 3) Stud work with a frame
  - 4) Stud work without a frame

Where no frame is used an edge kit is available to enable the installer to plaster to a finished edge, see section 5.

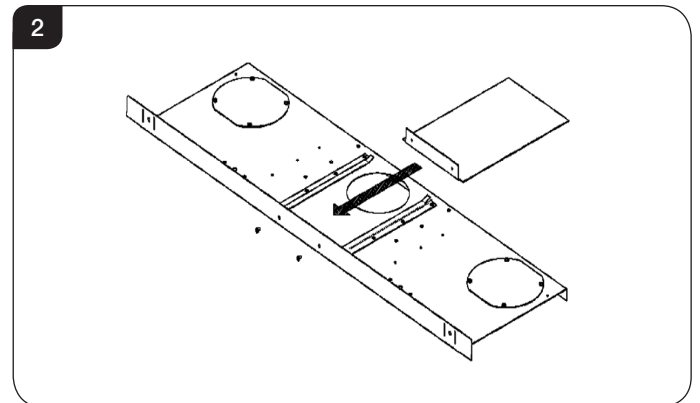
Options 1) and 2) above can be:

- Top exit with a liner
- Rear exit without a liner

- 2.2 The Studio is supplied with a flue fixing plate to attach the flue to the appliance within the aperture, see Diagram 1.



- 2.3 When installing the appliance into a masonry chimney without a liner, it must be converted to a rear exit.
- 2.4 Remove the two fixing screws securing the spigot assembly.
- 2.5 Slide the blanking plate into the guides.
- 2.6 Replace the two fixing screws, see Diagram 2.

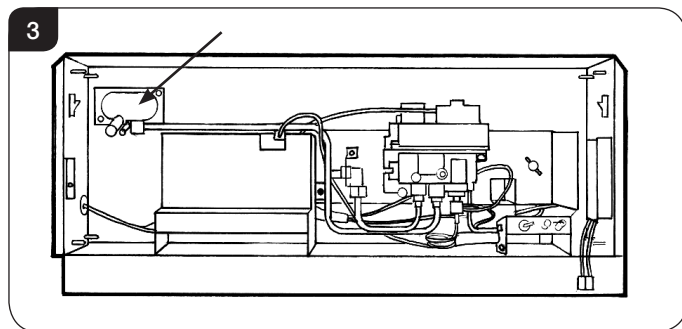


The flue must be in good condition and clear products of combustion, see Installation Instructions, Commissioning.

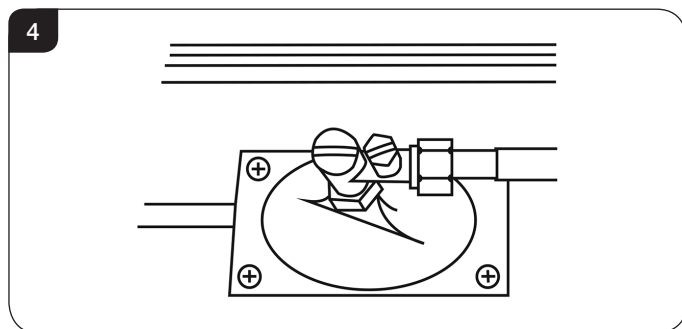
Options 3) and 4) (Studwork with or without a frame) must be fitted using the top exit only with rigid twin wall flue pipe.

# Installation Instructions

- 2.7 **THE APPLIANCE IS SUPPLIED WITH A WALL BOX CONTAINING THE BATTERIES. THIS MUST BE RECESSED INTO THE WALL WITH ACCESS FOR THE CABLES PRIOR TO FITTING THE APPLIANCE.**
- 2.8 Remove the appliance from the carton and discard all unnecessary packaging. Ensure no components are thrown away when unpacking.
- 2.9 To access the controls and gas inlet remove the glass door, liners, burner and splitter plate, referring to Servicing Instructions, Replacing Parts.
- 2.10 The gas supply enters the appliance through a silicon panel on the floor under the access panel, see Diagram 3.



- 2.11 Slit with a sharp knife before bringing through the supply pipe, see Diagram 4.



## 3. Studwork Installation

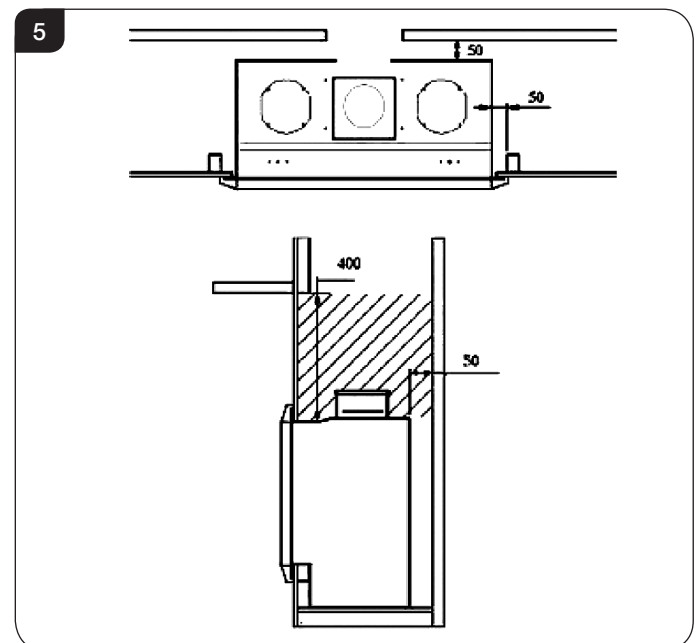
THERE ARE THREE TYPES OF INSTALLATION INTO STUDWORK DESCRIBED IN THE FOLLOWING PAGES:

- 1) FOR STUDIO WITH DECORATIVE FRAME, SEE SECTION 4.
- 2) FOR AN INSTALLATION WHERE THE STUDIO SITS FLUSH TO THE FINISHED 'EDGE' OF THE WALL, SEE SECTION 5.
- 3) FOR A FURTHER 'EDGE' INSTALLATION PROVIDING A COOL WALL ABOVE THE APPLIANCE TO ALLOW CUSTOMERS TO HANG PICTURES ETC, SEE SECTION 6.

THERE IS A FURTHER DESCRIPTION OF A MASONRY INSTALLATION.

### 3.1 DISTANCE TO COMBUSTIBLE MATERIAL

COMBUSTIBLE PARTS OF THE STUDWORK MUST BE KEPT BEYOND THE MINIMUM DIMENSIONS SHOWN IN DIAGRAM 5. EVEN IF THE FRAMEWORK IS PROTECTED BY NON-COMBUSTIBLE MATERIAL, YOU MUST MAINTAIN THESE DIMENSIONS.

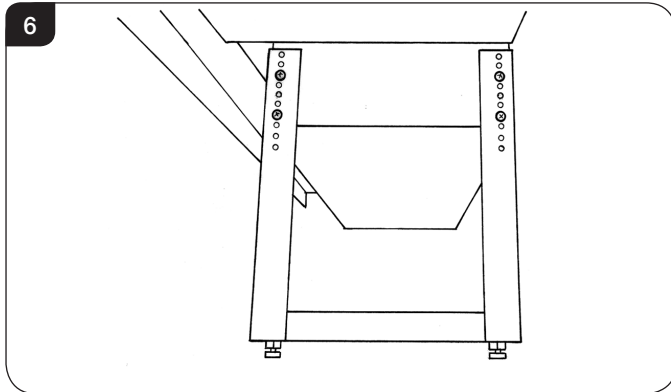


- 3.2 DO NOT PACK THE VOID AROUND OR ABOVE THE APPLIANCE WITH INSULATION MATERIALS SUCH AS MINERAL WOOL.
- 3.3 THE VOID BUILT FOR THE CASSETTE MUST BE VENTILATED TO PREVENT A BUILD-UP OF HEAT. IF THE VOID IS SEALED, THEN YOU MUST FIT VENTS AT BOTH LOW AND HIGH LEVELS OF APPROXIMATELY 50CM<sup>2</sup> EACH. THESE VENTS MUST TAKE COLD AIR FROM THE ROOM AND RETURN WARM AIR BACK INTO THE ROOM.
- 3.4 AN ACCESS HATCH MUST BE LEFT IN THE SIDE OF THE CHIMNEY BREAST FOR FUTURE SERVICING AND INSPECTION OF THE FLUE AND APPLIANCE.

# Installation Instructions

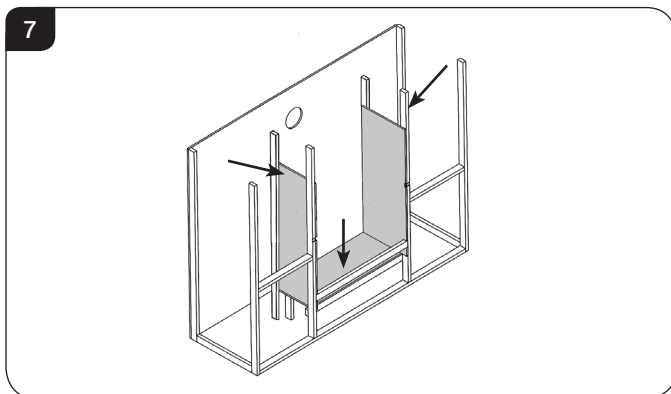
## 4. Studwork Installation for Studio with frames

**NOTE:** With the legs fitted, this appliance can stand directly on the floor (normally in a false chimney breast) or without the legs on a protected platform at the required height, see Diagram 6.



4.1 Build the studwork chimney breast and enclosures to the desired size to include the protected platform at the required height.

4.2 Line the aperture for the appliance with 12mm thick non-combustible material as shown, see Diagram 7.



4.3 Ensure the clearances are maintained, see Diagram 5.

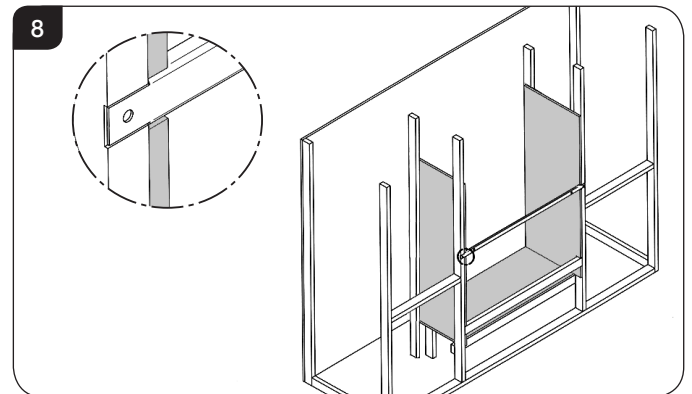
4.4 Site the appliance and decide on flue requirements.

4.5 Cut a hole for the flue exit.

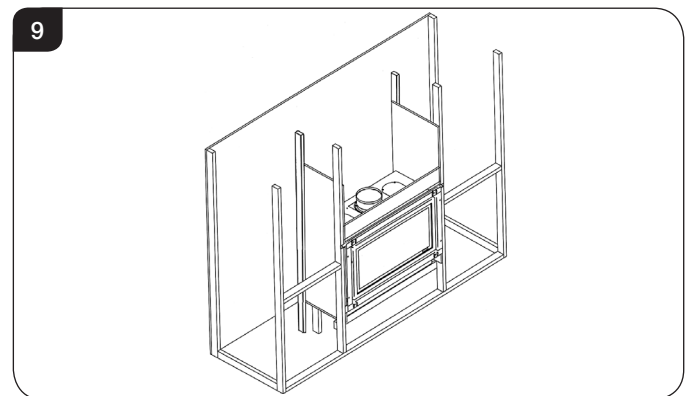
4.6 Provide gas and electric services into the cassette void on the left-hand side.

**Because no combustible material can be used above the appliance, Gazco provide a support bar.**

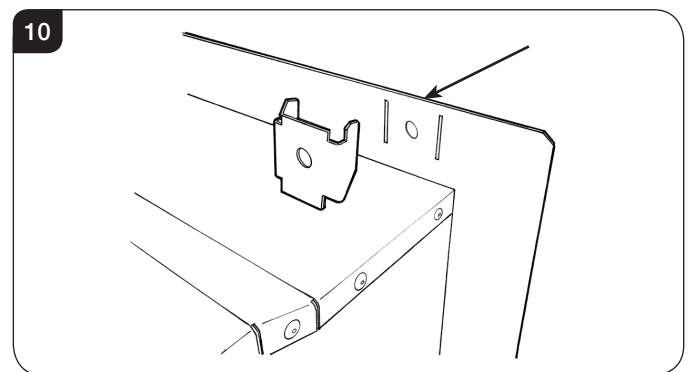
4.7 Mark out the position to fit the supplied top support bar into the studwork at the correct height. This bar needs to be recessed into the studwork, see Diagram 8.



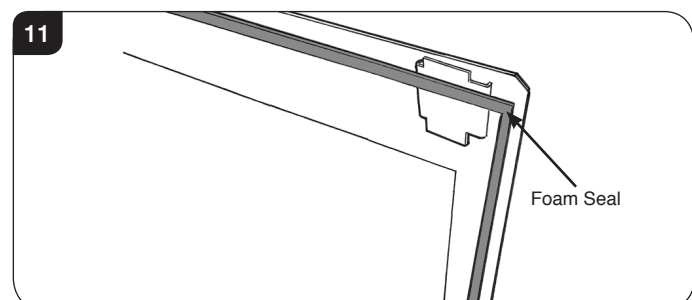
4.8 Fit the support bar into the studwork at the correct height, see Diagram 9.



4.9 Attach the 4 frame fixing brackets to the appliance, see Diagram 10.



4.10 Fix foam seal to the outer flange of the appliance, see Diagram 11.





# Installation Instructions

- 4.11 Position the appliance.
- 4.12 Fit non-combustible board to the studwork around the appliance. This should extend a minimum of 400mm above the appliance and at least 50mm to the sides of the appliance (from the outer box, not the flanges).
- 4.13 Apply plasterboard to the remainder of the studwork.
- 4.14 Secure the appliance back to the studwork using four screws through flange, bracket, support bar.
- 4.15 Apply a plaster finish to the front of the chimney breast.

## Slips

Because of the high temperatures this appliance achieves, it is advisable to use marble slips or similar material between the appliance and the plasterboard.

**Never use a one-piece slip as expansion (even cracking) can occur.**

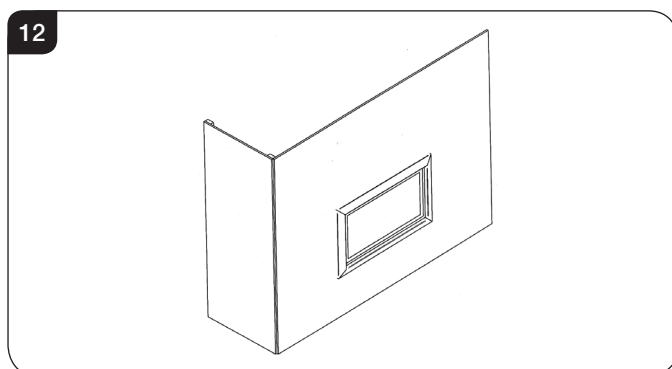
**Note: If a slip is used, longer screws are needed to secure the appliance.**

To finish this installation:

- 4.16 Connect the wall box and batteries following instruction in Section 8.
- 4.17 Connect the flue system.
- 4.18 Connect the gas services using the opening in the side of the chimney breast for access.

## After commissioning:

- 4.19 Finish the sides of the chimney breast, see Diagram 12.



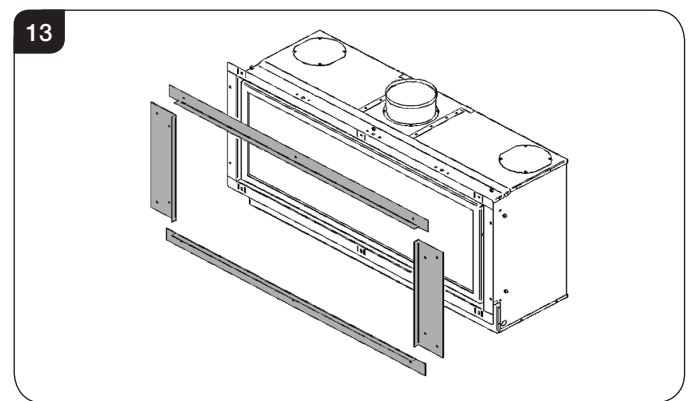
## 5. Studwork for Studio Edge Installation Kit

There is an optional Studio Edge Installation Kit available for installing the appliance without a frame, see below table:

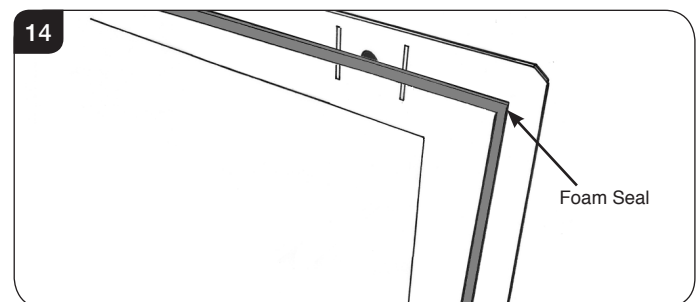
Model	Code
Studio 1	8727CFEK01
Studio 2	8727CFEK02

Using the installation kit:

- 5.1 Fit the four metal brackets of the kit to the appliance, see Diagram 13.



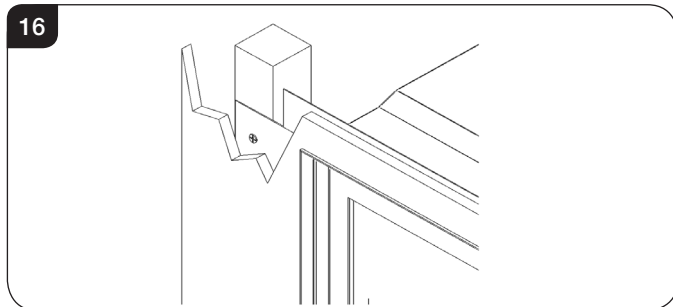
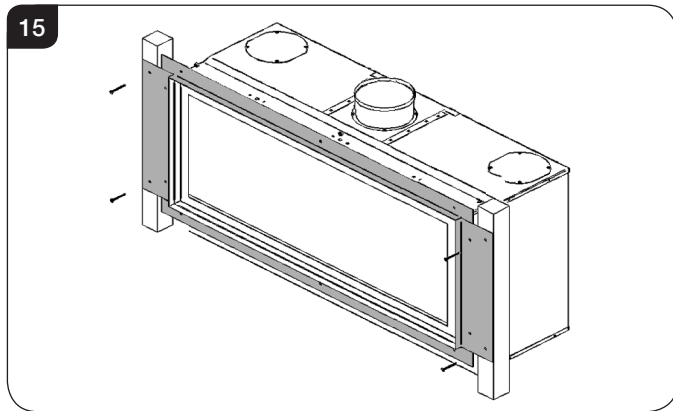
- 5.2 Fix foam seal to the rear of the outer flange of the appliance, see Diagram 14.



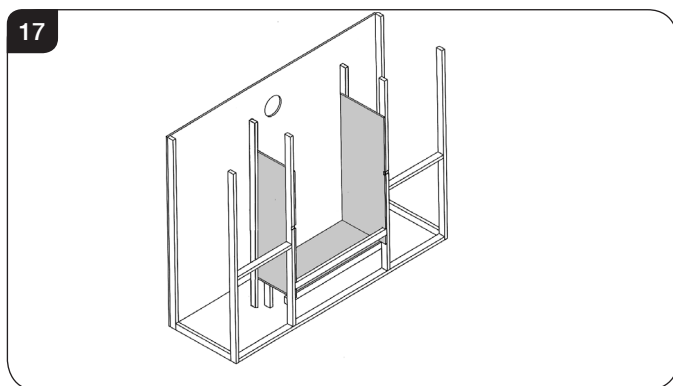
- 5.3 Put vertical studwork at minimum clearance to the side of the appliance (50mm).
- 5.4 Secure to the vertical studwork through the holes in the metal brackets fitted to the appliance.

# Installation Instructions

- 5.5 The kit has been designed so that non-combustible board can be taken right up to the edge of the four brackets, see Diagrams 15 & 16.

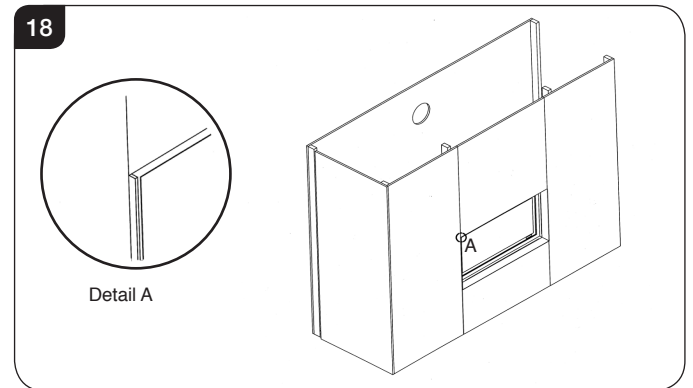


- 5.6 Build the studwork chimney breast to the desired size.  
5.7 Ensure all clearances to combustible material are maintained (see Section 3 above).  
5.8 Decide on flue requirements.  
5.9 Cut a hole for the flue exit.



- 5.10 Fit appliance into opening.  
5.11 Fit non-combustible board to the studwork above the appliance. This should extend a minimum of 400mm above the appliance.  
5.12 Fit plasterboard to the remaining chimney breast front.  
5.13 Connect the flue system and gas services using the opening in the side of the chimney breast for access.

- 5.14 After commissioning, finish the sides of the chimney breast, see Diagram 18.

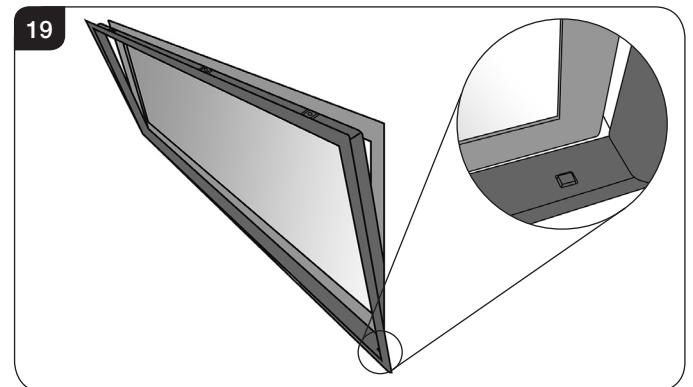


- 5.15 Apply a plaster finish to the chimney breast using heat resistant plaster in the area directly above the appliance.

## Edge+ Frame

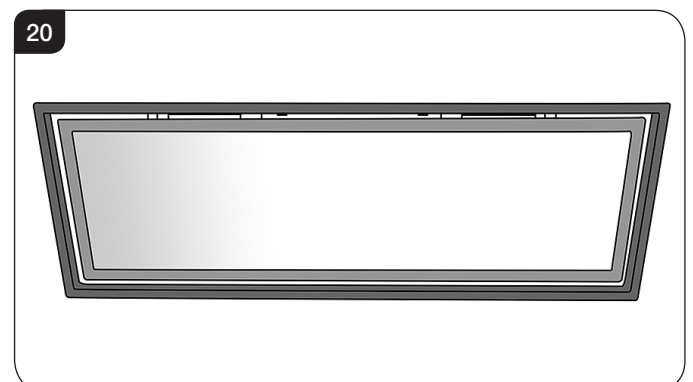
- 5.16 The Edge+ is an optional extra which consists of a decorative frame that is fitted after the studwork or chimney breast has been finished to the Edge frame.  
5.17 Offer the base of the frame to the finished edge around the appliance. The raised magnetic holders on the Edge+ frame locate at the bottom of the opening, see Diagram 19.

Push the base of the frame half way onto the edge.



- 5.18 Push the top into place within the opening, taking care not to damage the frame or the wall finish, see Diagram 20.

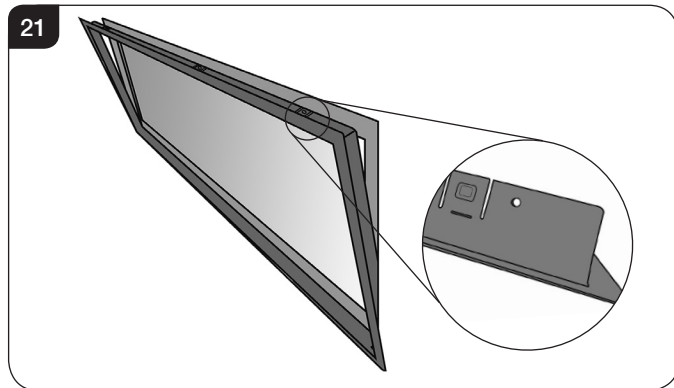
Push the frame all the way onto the edge around the appliance.



# Installation Instructions

- 5.19 The installation is now complete.
- 5.20 If there is difficulty fitting the Edge+ frame it can be adjusted to suit the installation.

On the top edge of the frame are three adjustable tabs, see Diagram 21.



- 5.21 If the Edge+ is too loose the tabs can be bent up to gain better purchase on the edge of the appliance box. If the Edge+ is too tight the tabs can be bent downwards to give more clearance.

## 6. Studwork for Cool Wall Installation Kit

For this cool-wall installation, the convected heat from the appliance is channelled into the chimney cavity and vented at the top.

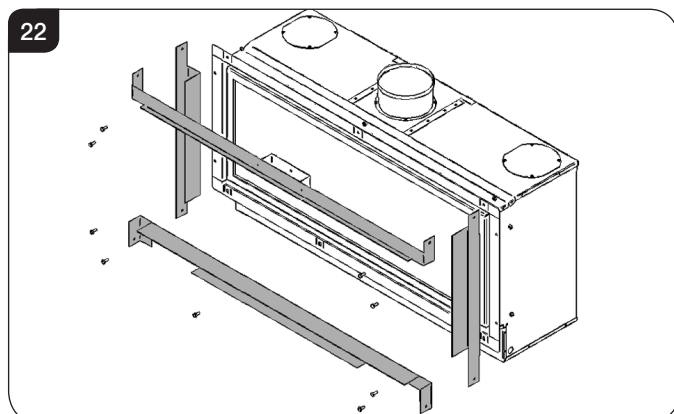
The cool wall installation kit is provided unfinished. This allows the kit to be finished to match the front face decor.

There is an optional Studio Cool Wall Installation Kit available for installing the appliance without a frame, see table:

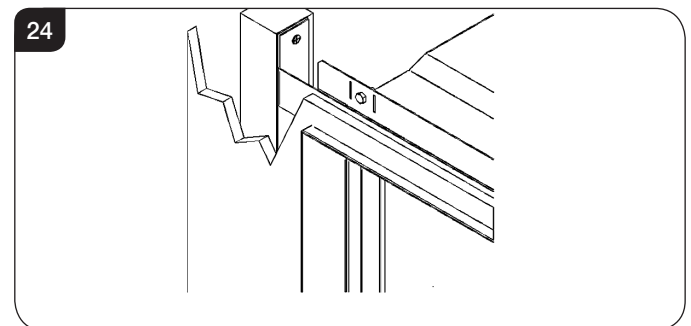
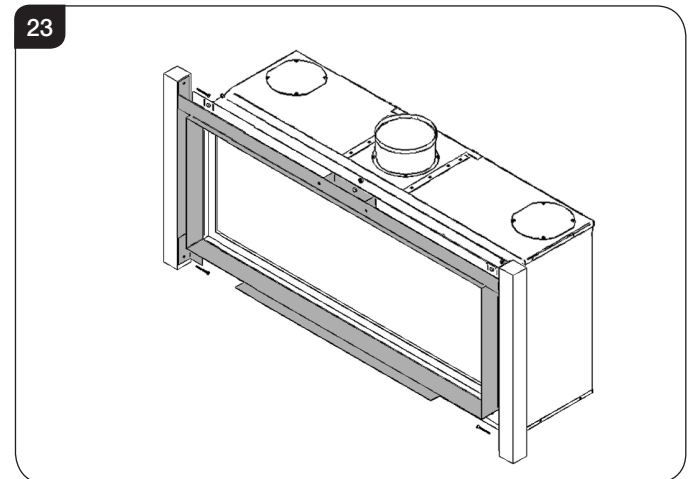
Model	Code
Studio 1	8727CFCW01
Studio 2	8727CFCW02

Using the fixing kit:

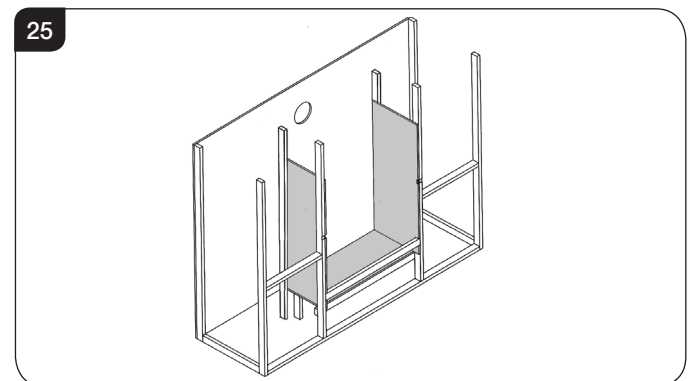
- 6.1 Fit the four metal brackets of the kit to the appliance, see Diagram 22. There is a deliberate gap at the top for convected heat.



- 6.2 This now determines the width of your two vertical studwork supports. The kit has been designed so that non-combustible board can be taken right up to the edge of the four brackets, see Diagrams 23 & 24.



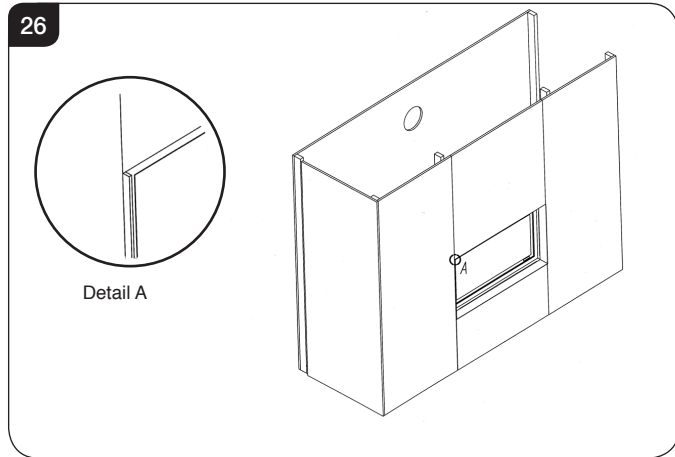
- 6.3 Fix the left and right metal brackets into the studwork.
- 6.4 Build the studwork chimney breast to the desired size.
- 6.5 Ensure all clearances to combustible material are maintained (see Section 3 above).
- 6.6 Decide on flue requirements.
- 6.7 Cut a hole for the flue exit.



- 6.8 Fit appliance into opening.
- 6.9 Fit non-combustible board to the studwork above the appliance. This should extend a minimum of 400mm above the appliance.
- 6.10 Fit plasterboard to the remaining chimney breast front.

# Installation Instructions

- 6.11 Connect the flue system and gas services using the opening in the side of the chimney breast for access. After commissioning, finish the sides of the chimney breast, see Diagram 26.

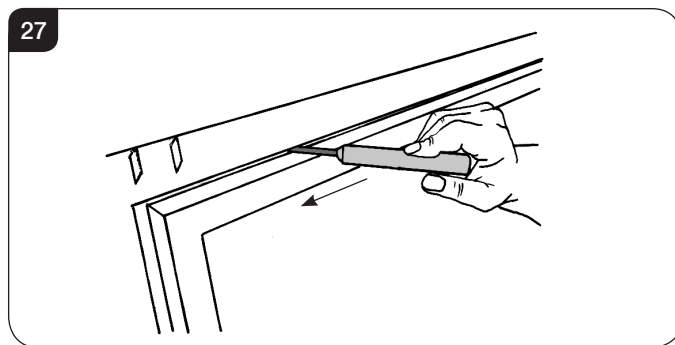


- 6.12 The top of the chimney breast must have a minimum 200cm<sup>2</sup> vent.  
6.13 Apply a plaster finish to the chimney breast.

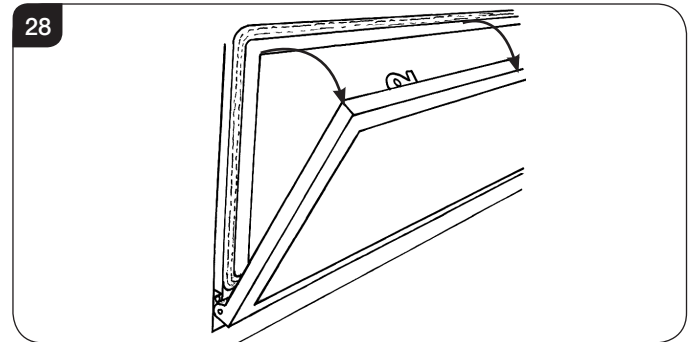
## 7. Masonry Chimney Installation

**NOTE: Do not use the legs (of the appliance) in this installation.**

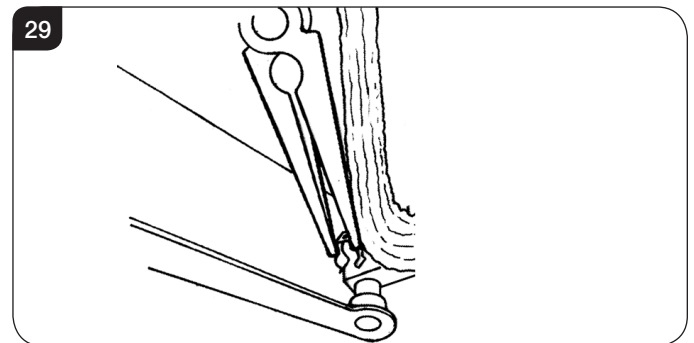
- 7.1 To open the glass door use the hexagon key provided.  
7.2 Release the window locks by moving them from shut to open towards the outer edges, see Diagram 27.



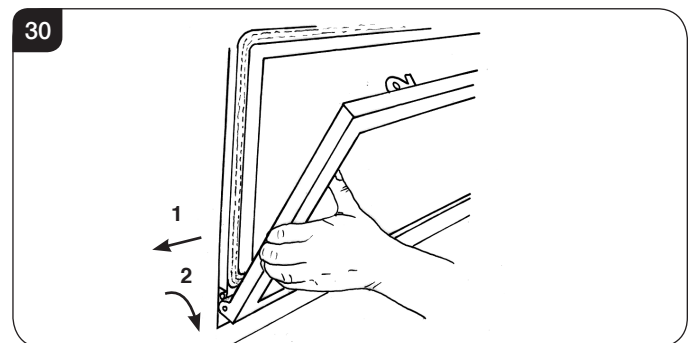
- 7.3 To completely remove the glass front:  
7.4 Support the frame and lower it gently forward down to its natural stop position, see Diagram 28.  
**DO NOT EXERT PRESSURE ON THE DOOR ONCE THERE IS RESISTANCE.**



- 7.5 Remove the securing spring clip from the bottom-right of the window frame, see Diagram 29.



- 7.6 With the window frame in an upright position slide the frame to the left so that it comes off the left hinge pin, see Diagram 30 (1).  
7.7 Still keeping the frame upright drop the left side down and forward slightly, see Diagram 30 (2).



- 7.8 Slide the frame to the right so it comes off the right hinge pin. The window frame should now be free.  
7.9 Refit the Window Frame Assembly in reverse order.

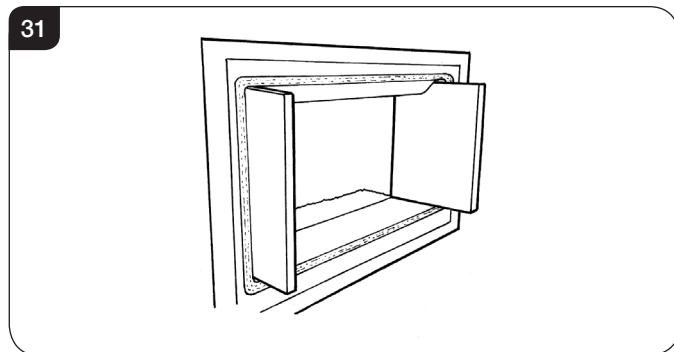
**When closing the door ensure the door catches are fully engaged.**



**UNDER NO CIRCUMSTANCES SHOULD THE APPLIANCE BE USED WITHOUT THE CATCHES HOLDING THE DOOR IN PLACE.**

# Installation Instructions

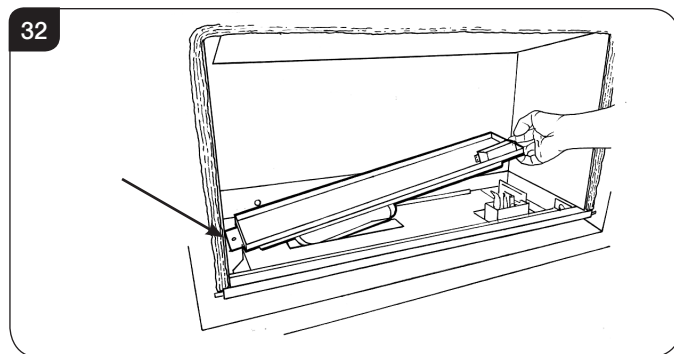
7.10 Remove all lining panels, see Replacing Parts, Section 5.



7.11 Remove the screw retaining the burner.

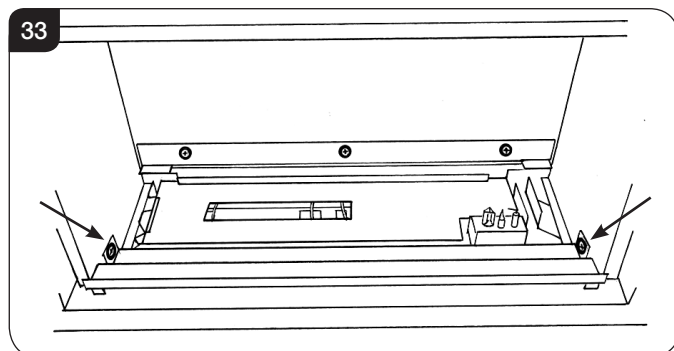
7.12 Move the burner to the left to disengage the burner flange from the slot and injector.

7.13 Raise the right side and remove the burner, see Diagram 32.

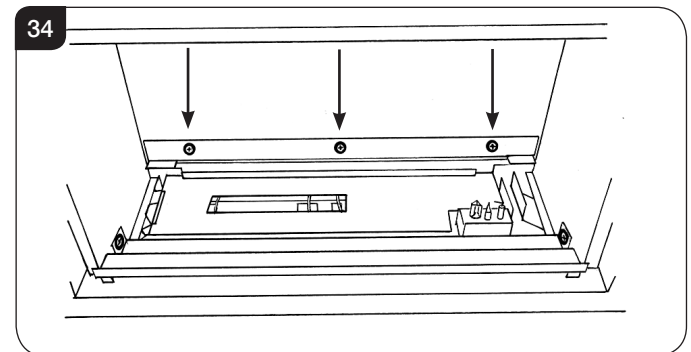


7.14 Loosen the two screws retaining the plate beneath the burner.

7.15 The front of the plate can now be lifted off the screws. Pull it forward and remove, see Diagram 32.

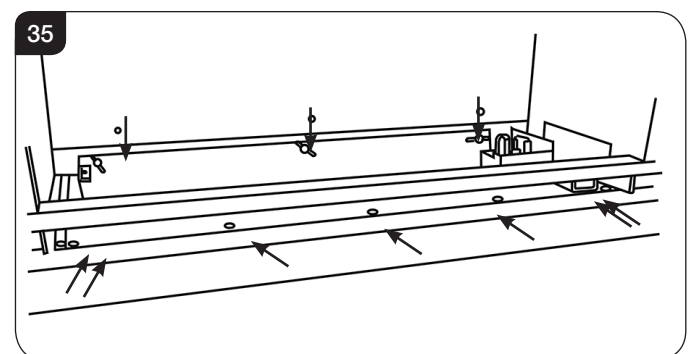


7.16 Remove the three screws retaining the rear back panel.



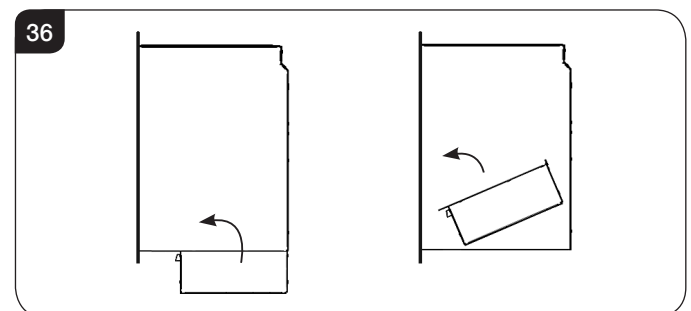
7.17 Lift and pull forward off the slotted brackets.

7.18 With the appliance on its back remove the three wing nuts and screws retaining the loose box, see Diagram 35.



7.19 Move the box forward to release the rear off the studs.

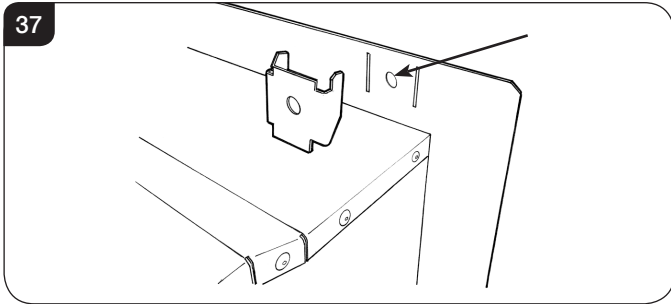
7.20 Tilt the front edge of the box upwards and remove from the appliance, see Diagram 36.



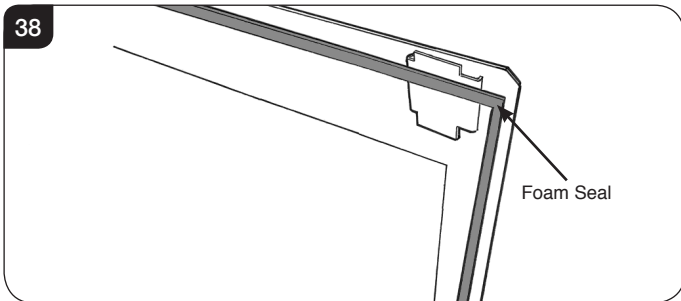
# Installation Instructions

## METHOD 1 - FRAME

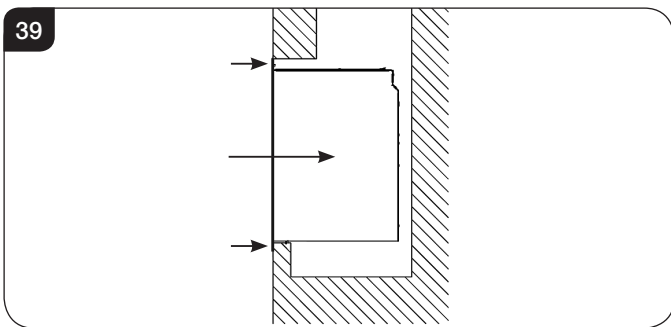
- 7.21 Fit the four frame fixing brackets through the rear of the flanges, see Diagram 37.



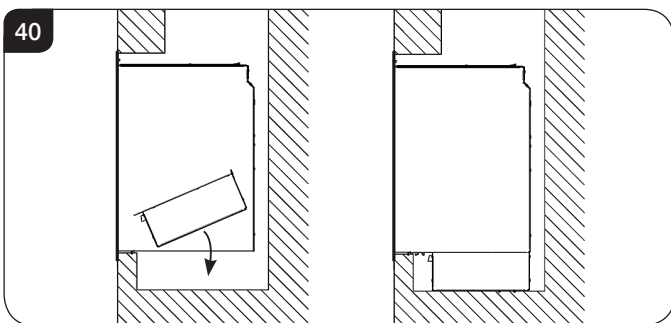
- 7.22 Attach the foam seal around the rear of the flange, see Diagram 38.



- 7.23 Fit the main firebox into the aperture, see Diagram 39 and secure with the screws and expansion plugs provided through the top and bottom flanges.



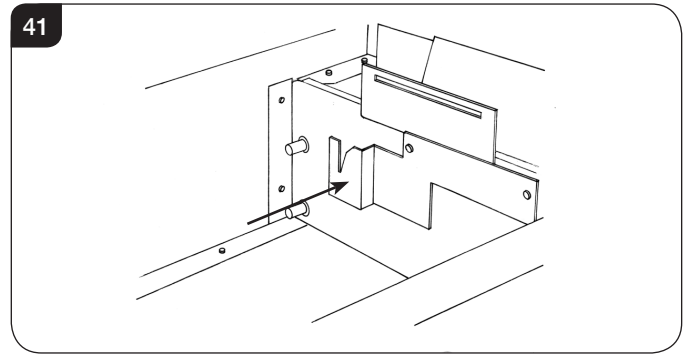
- 7.24 Feed the wires for the battery box through the grommet in the left side of the loose box.
- 7.25 The wires are then fed inside the firebox and routed through the available access.
- 7.26 Replace the loose box inside the main firebox ensuring the wires are not trapped, see Diagram 40.



- 7.27 Replace the three wing nuts and seven screws.

- 7.28 Connect the gas supply and check for leaks.

- 7.29 Replace the rear panel ensuring the bottom edge locates in the tapered brackets, see Diagram 41.

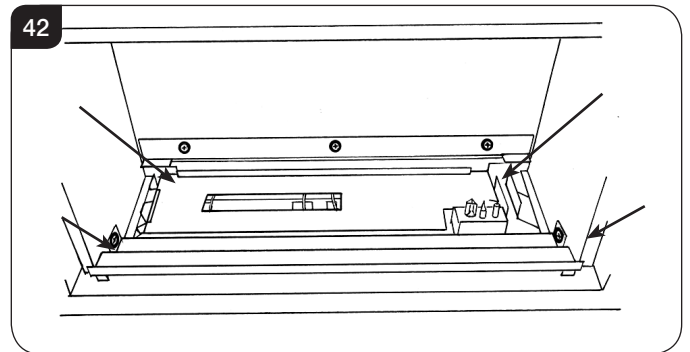


**NOTE: To check gas pressure refer to Section 7.53 onward.**

- 7.30 Replace the splitter plate.

- 7.31 Locate the rear two tabs into the rear panel.

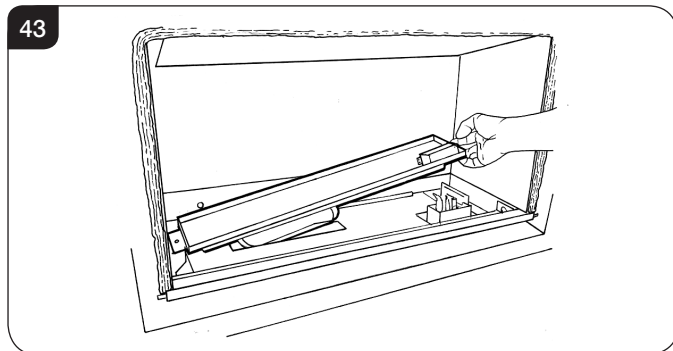
- 7.32 Engage the two side slots over the screws and secure, see Diagram 42.



# Installation Instructions

To replace the burner:

- 7.33 Locate the left-hand side into the burner bracket.
- 7.34 Lower the right-hand side to engage the injector onto the venturi and also the pilot into the aperture in the burner skin.
- 7.35 Push the burner to the right and engage the burner into the slot in the bracket, see Diagram 43.



- 7.36 Replace the fixing screw.
- 7.37 To replace the doors and panels, see Replacing Parts, Sections 3, 5 and 6.

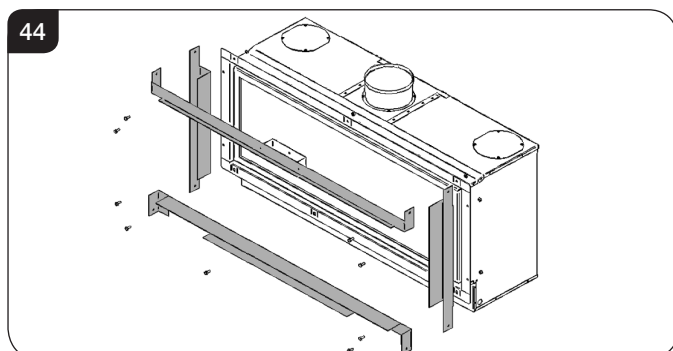
## METHOD 2 - NO FRAME

The front of the chimney breast has to be studded and boarded to allow the Edge kit to be fitted.

### Cool Wall:

For this Cool Wall Edge installation, the convected heat produced by the appliance is channelled into the cavity between the existing chimney and the false wall, then vented at the top. The vent should have a minimum open area of 200mm.

- 7.38 Proceed as described in Section 7.1 to 7.21, but do not fit the frame brackets.
- 7.39 Once the box has been removed from the appliance fit the edge kit to the two sides and lower edge using the screws and expansion plugs provided, see Diagram 44.



- 7.40 Stud the face of the chimney breast as described in Section 6, above.

**DO NOT FIX ANY HORIZONTAL STUD WORK ABOVE THE APPLIANCE AS THIS WILL PREVENT THE CONVECTED AIR ESCAPING THROUGH THE VENTS.**

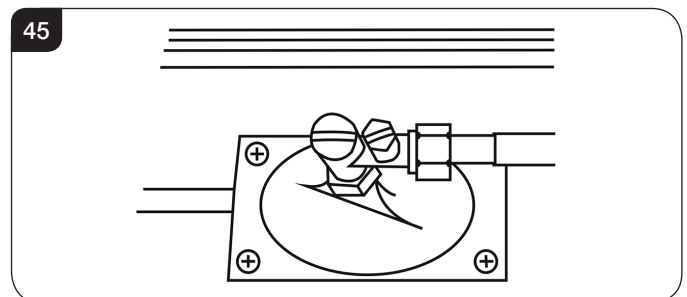
- 7.41 Fit the non-combustible board and the plasterboard as described in Section 3.
- 7.42 Apply plaster skim to the front of the chimney breast.

### Edge Kit:

- 7.43 Apply the same method for an Edge finish as described in the Cool Wall section above, referring also to Section 5.

## MASONRY INSTALLATION FOR METHODS 1 & 2

- 7.44 Remove the compression elbow from the appliance and connect it to the gas supply pipe.
- 7.45 As the loose box is fitted into the main appliance pass the elbow and supply pipe through the silicone panel on the left side.
- 7.46 Engage the rear of the box onto the three studs on the rear of the appliance and lower the front edge.
- 7.47 Replace the three wing nuts and seven screws.
- 7.48 Replace the rear loose panel.
- 7.49 Ensure the lower edge engages into the tapered brackets.
- 7.50 **PURGE THE SUPPLY PIPE.** This is essential to expel any debris that may block the gas controls.
- 7.51 Connect the elbow to the appliance inlet pipe, see Diagram 45.



- 7.52 Connect a suitable pressure gauge to the test point located on the inlet fitting.
  - 7.53 Turn on the gas.
- The burner must be temporarily fitted whilst completing this procedure.**
- 7.54 Light the appliance and check for leaks.
  - 7.55 Turn the appliance to maximum and check that the supply pressure is as stated on the data badge.
  - 7.56 Turn off the gas and replace the test point screw.
  - 7.57 Turn the gas back on and check the test point for leaks.
  - 7.58 Replace the splitter plate and burner.

# Installation Instructions

## 8. All types of installation into Studwork - Wall Box & Batteries

**i** Please note: As an optional extra Gazco can provide a mains adapter to supply constant power to the appliance control box instead of the battery pack.

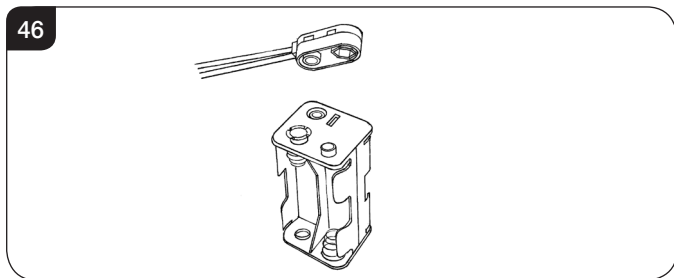
If installing an appliance with the adapter make provision for a mains power socket within 1.5m of the control box and follow the instructions provided.

When installing the wall box allow at least 100mm of slack wire in the battery lead where it enters the appliance on the right hand side. This allows the removal of the control assembly during servicing.

8.1 Decide on the position for the wall box containing the batteries and wall plate and cut the necessary hole.

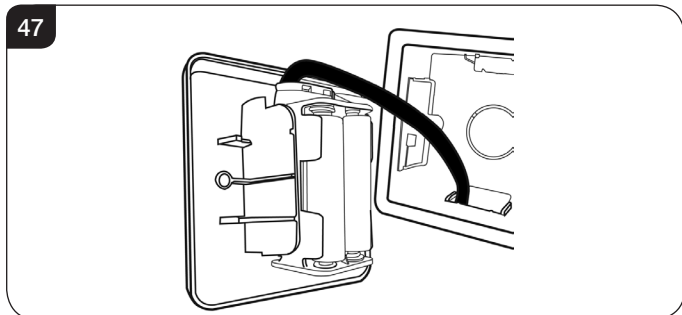
A battery power supply cable is supplied and pre-fitted to the appliance control. Provision is made for the cable to exit either the left or right of the appliance through the grommet. The cable is 3 metres long.

8.2 Connect the wire from the appliance to the battery pack, see Diagram 46.

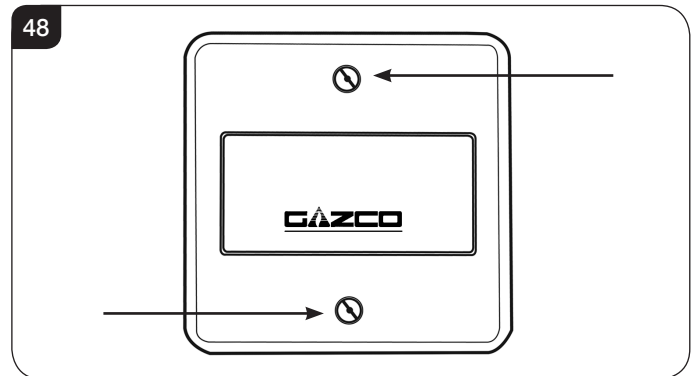


**i** It is essential to use high quality batteries (Duracell or equivalent) when replacing batteries in the handset or control box.

8.3 Correctly position the four new AA size batteries and re-assemble the battery holder as shown, see Diagram 47.



8.4 Secure the wall plate to the wall box using the two fixing screws, see Diagram 48.



**i** **IMPORTANT** The wall plate must be installed using a non-metallic mounting box, please ensure that the plastic dry lining box is used wherever possible. If it is intended to install the wall plate into masonry it is possible to drill through the rear of this box and secure in position using wall plugs and screws although a small amount of finishing work will be required to cover the plastic side securing tags. Alternatively a standard 47mm deep pattress box can be used to surface mount the wall plate.

**!** PLEASE ENSURE NO WIRES ARE TRAPPED BEFORE REPLACING THE WALL PLATE. THE LEAD IS EASILY DAMAGED.



# Installation Instructions

## 9. Assembling the appliance

- 9.1 The Studio appliances have the option of 3 different liner finishes:

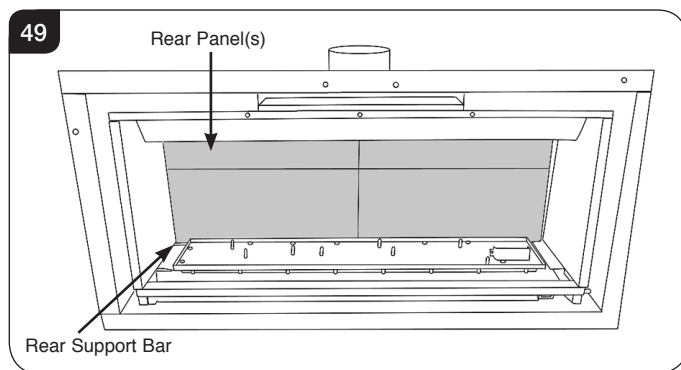
Vermiculite  
Black Reeded Panels  
Black Glass Linings

### Vermiculite & Black Reeded

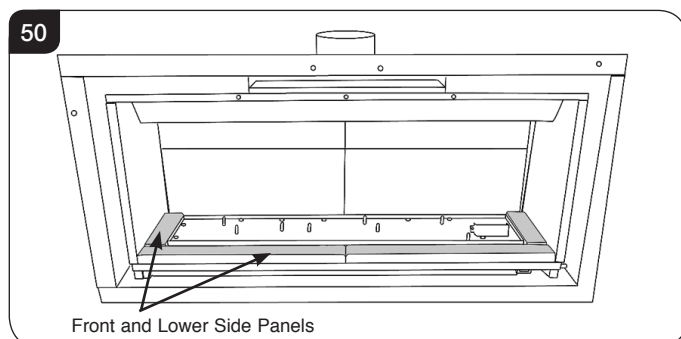
**NOTE: ALL FRONT PANELS ARE IN TWO PIECES.**

**HOLD THE REAR PANELS UNTIL ALL THE OTHER PANELS ARE IN PLACE AS THEY CAN FALL FORWARD.**

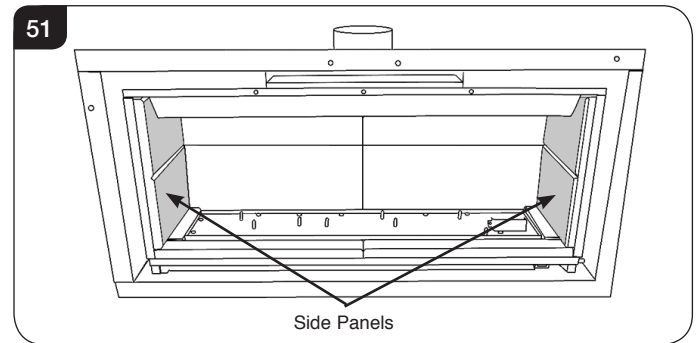
- 9.2 Place the rear panel(s) behind the locating bracket on the rear support bar.
- 9.3 Centralise the rear panel(s) with the chamfers touching and pushed together, see Diagram 49.



- 9.4 Place the lower side and front panels in position so the chamfers meet at the front edge of the burner.
- 9.5 Ensure the 2-piece front panels are engaged against the centre support tags on the burner and are pushed together in the middle, see Diagram 50.



- 9.6 Slide the 2 side panels up to the rear panel, see Diagram 51.



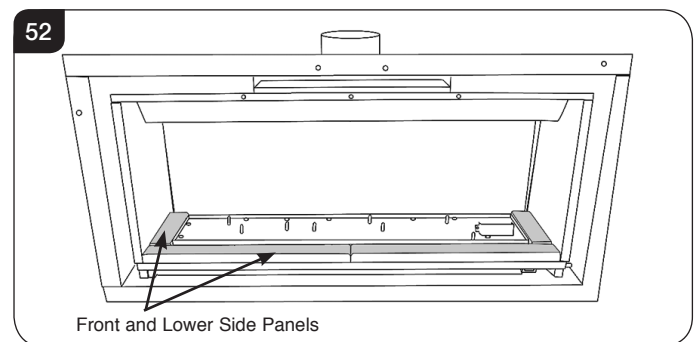
**NOTE: THE HORIZONTAL CHAMFERS MUST ALIGN ON THE REAR AND SIDE PIECES.**

### Black Glass

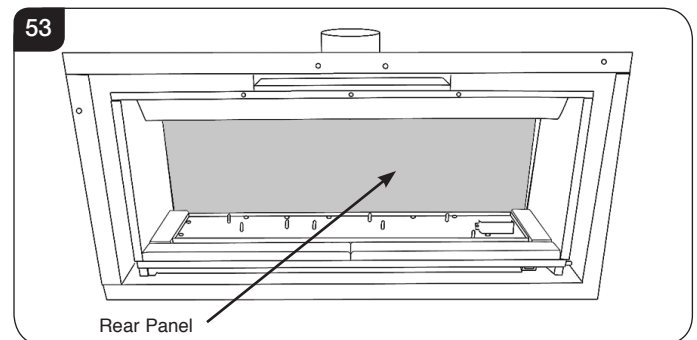
**NOTE: ALL REAR PANELS ARE ONE PIECE.**

**HOLD THE REAR PANEL UNTIL ALL THE OTHER PANELS ARE IN PLACE AS THEY CAN FALL FORWARD.**

- 9.7 Place the lower side and front panels in position so the chamfers meet at the front edge of the burner.
- 9.8 Ensure the 2-piece front panels are engaged against the centre support tags on the burner and are pushed together in the middle, see Diagram 52.

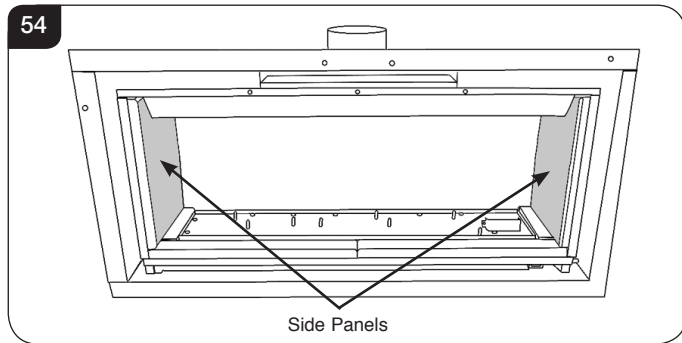


- 9.9 Fit and centralise the rear panel, see Diagram 53.



# Installation Instructions

- 9.10 Slide the 2 side panels up to the rear panel, see Diagram 54.



## 10. Arrangement of the fuel bed

### Advice on handling and disposal of fire ceramics



The fuel effect of the log version of this appliance is made from Refractory Ceramic Fibre (RCF), a material which is commonly used for this application.

Protective clothing is not required when handling these articles, but we recommend you follow normal hygiene rules of not smoking, eating or drinking in the work area and always wash your hands before eating or drinking.

To ensure that the release of RCF fibres are kept to a minimum, during installation and servicing a HEPA filtered vacuum is recommended to remove any dust accumulated in and around the appliance before and after working on it. When servicing the appliance it is recommended that the replaced items are not broken up, but are sealed within heavy duty polythene bags and labelled as RCF waste.

RCF waste is classed as stable, non-reactive hazardous waste and may be disposed of at a licensed landfill site.

Excessive exposure to these materials may cause temporary irritation to eyes, skin and respiratory tract; wash hands thoroughly after handling the material.

- 10.1 **White Stone Effect:** To replace the white stone effect, make sure they are flattened so they are level with the rim of the tray.
- 10.2 **Lava Rock for Log & Driftwood Log Layout:** Use the entire bag of supplied Lava Rock.

**TAKE CARE NOT TO SPILL THE EFFECT INTO THE PILOT AREA.**

**STACK STONES EFFECT IN FRONT OF THE PILOT SHIELD TO OBSCURE THE BLACK METAL SHIELD.**

**ONLY GENUINE GAZCO PARTS CAN BE USED IN THIS APPLIANCE.**

## 11. Pebble & Stone Layout

**PEBBLES & STONES MUST BE POSITIONED ACCORDING TO THE FOLLOWING INSTRUCTIONS TO GIVE THE CORRECT FLAME EFFECT.**

### Layout for Studio 1

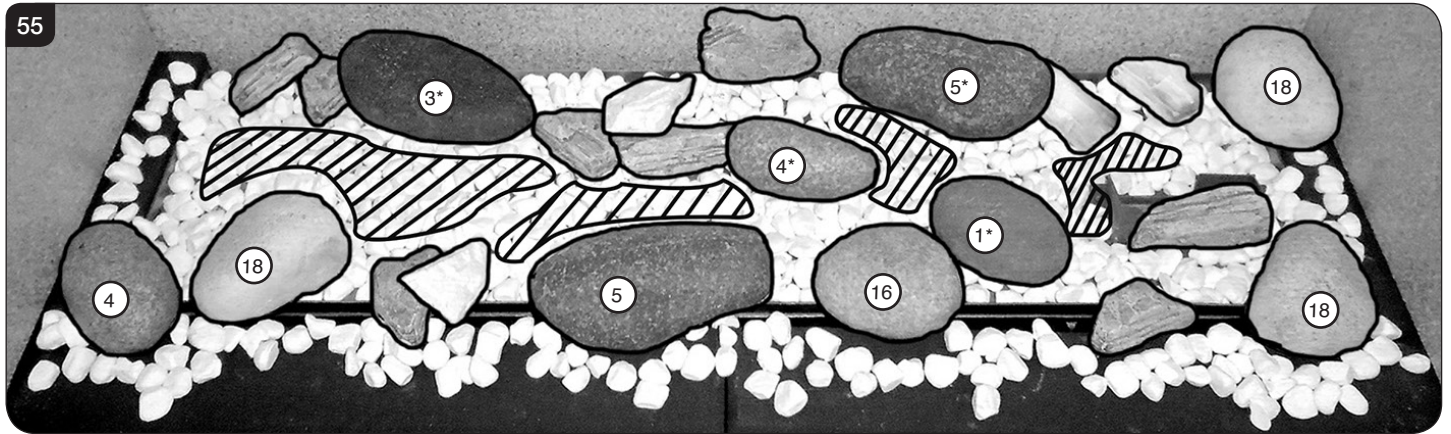
All pebbles can be identified by a number (ranging 1 - 18) on their underside. Pebbles 1, 3, 4, 5 & 12 have holes which locate onto a burner stud (please note that the Studio 1 does not have Pebble 12).

- 11.1 Evenly spread the white stones over the fuel bed.
- 11.2 Position Pebbles 3\*, 4\*, 5\* & 1\* on to the locating studs in the burner tray.  
NOTE: Pebble 4 on the front left corner of the burner tray and Pebble 5 on the front edge do not have a locating stud.

# Installation Instructions

Once in position, place the remaining pebbles and embers in the below order, see Diagram 55.

Sparingly spread an amount of the Embaglow fibres provided, covering the ports in the burner tray, see Diagram 55.  
Ensure the material is placed loosely to create a random glow.  
Take care not to use more than half a packet per application.  
**WARNING - DO NOT PLACE NEAR THE PILOT AREA.**



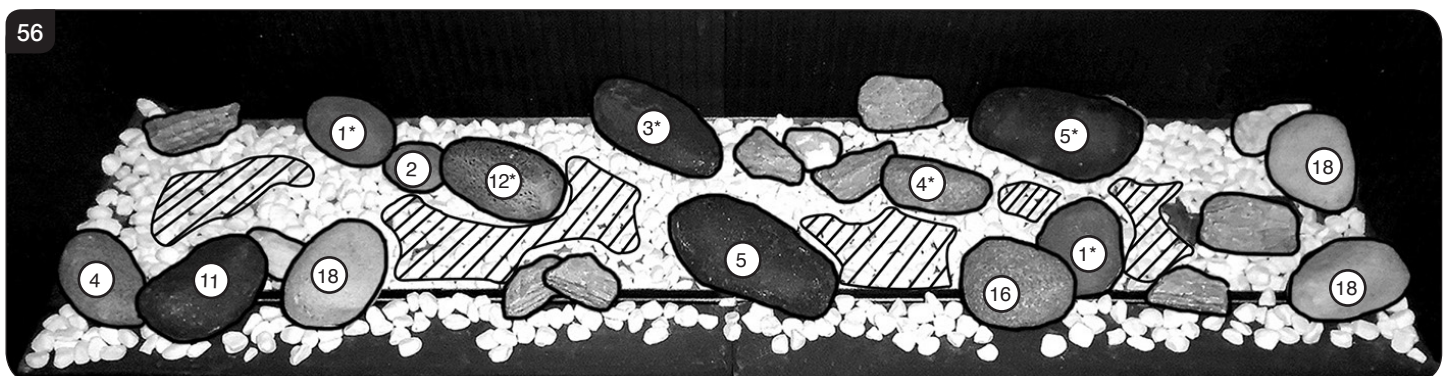
## Layout for Studio 2

All pebbles can be identified by a number (ranging 1 - 18) on their underside. Pebbles 1, 3, 4, 5 & 12 have holes which locate onto a burner stud.

- 11.3 Evenly spread the white stones over the fuel bed.
- 11.4 Position Pebbles 1\*, 12\*, 3\*, 4\*, 5\* & 1\* on to the locating studs in the burner tray.  
NOTE: Pebble 4 on the front left corner of the burner tray and Pebble 5 on the front edge do not have a locating stud.

Once in position, place the remaining pebbles and embers in the below order, see Diagram 56.

Sparingly spread an amount of the Embaglow fibres provided, covering the ports in the burner tray, see Diagram 56.  
Ensure the material is placed loosely to create a random glow.  
Take care not to use more than half a packet per application.  
**WARNING - DO NOT PLACE NEAR THE PILOT AREA.**



# Installation Instructions

## 12. Log Layout

**LOGS MUST BE POSITIONED ACCORDING TO THE FOLLOWING INSTRUCTIONS TO GIVE THE CORRECT FLAME EFFECT.**

**THERE ARE TWO LOG SETS - AUTHENTIC LOG AND DRIFTWOOD. EACH SET IS FITTED USING THE SAME METHOD.**

### Layout for Studio 1

All logs can be identified by a letter (A - H) on their underside. Logs C and B have holes to locate each onto a burner stud (please note that the Studio 1 does not have Logs G, E, or F).

- 12.1 Position log B on the left hand side of the burner tray, locating onto the middle and back left studs.

Cover the remainder of the tray in lava rock, see Diagram 57.

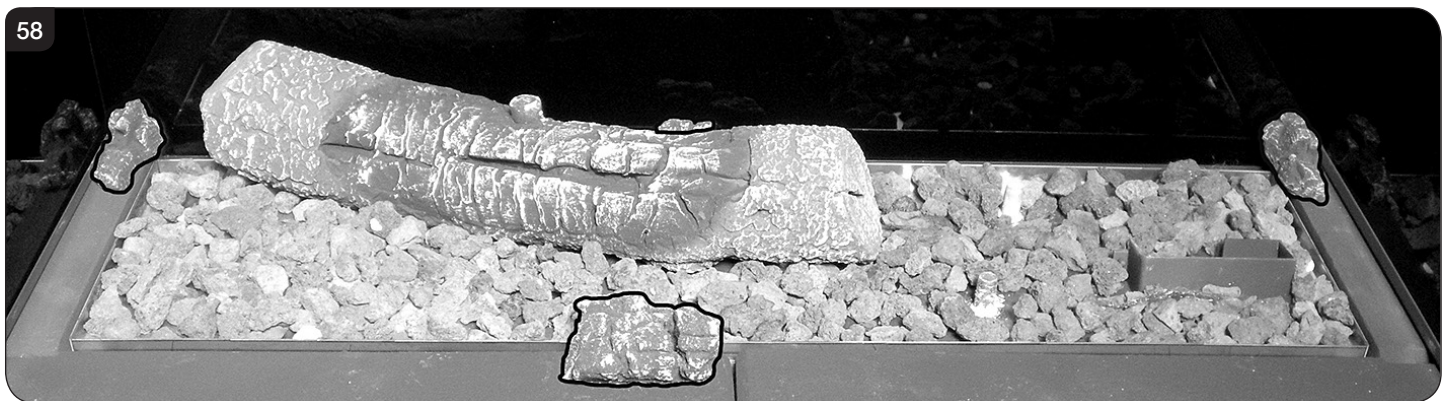
**Take care not to spill the lava rock into the pilot area and the air gaps at the front and rear of the burner tray.**



The Studio 1 comes with 5 embers in total, 4 small and 1 large.

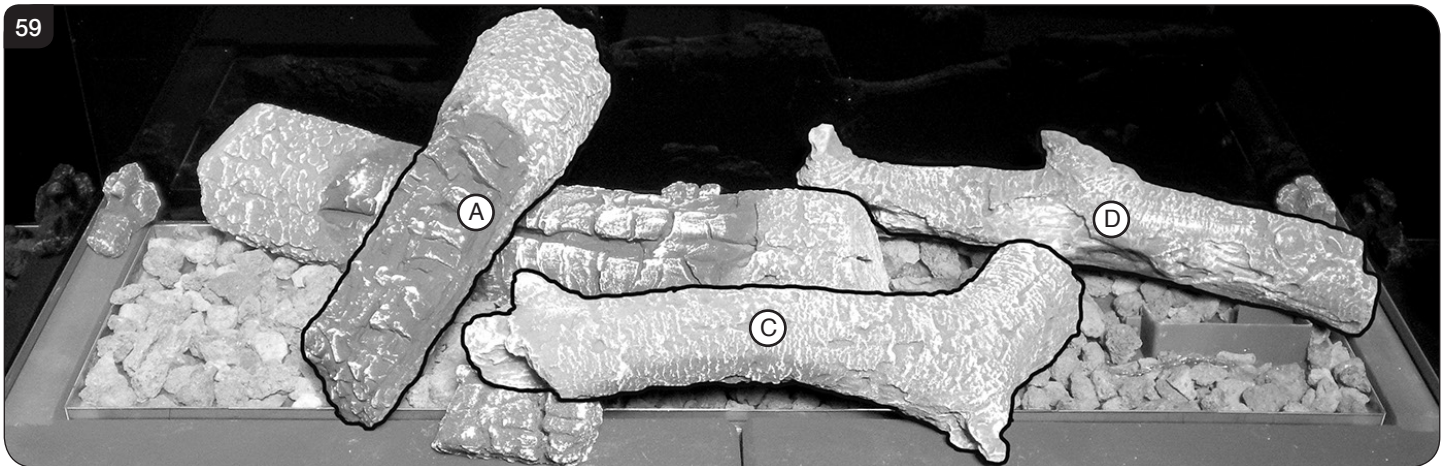
- 12.2 Position the 2 small embers in the left and right back corners, followed by 1 ember in the back centre of the appliance (behind Log B) and one in the front, slightly off-centre, see Diagram 58.

The final ember is placed after all the logs are in position.



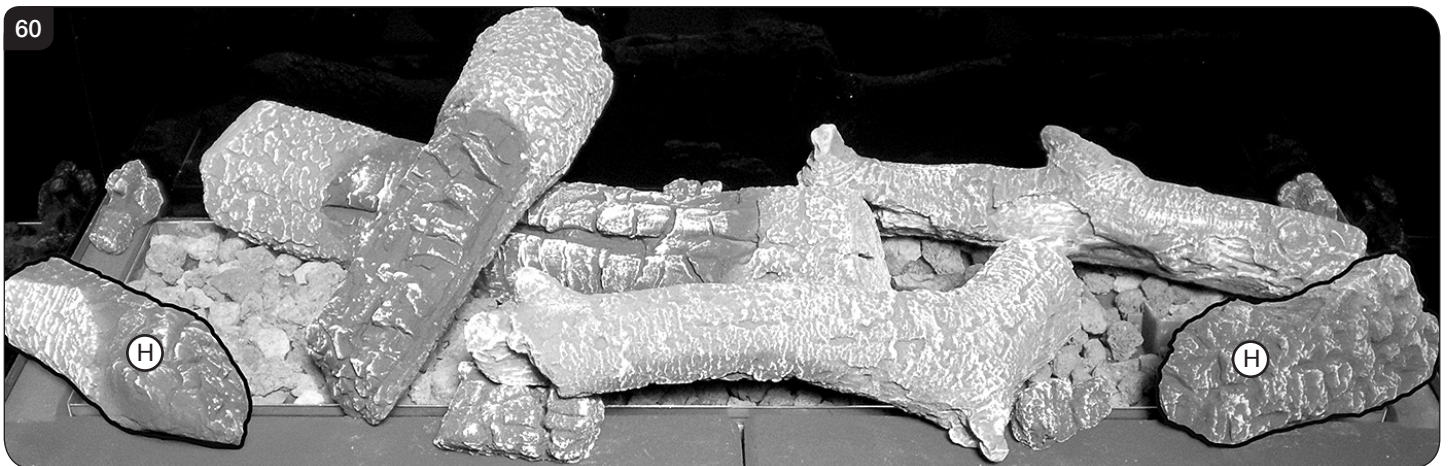
# Installation Instructions

- 12.3 Log D is positioned in the rear right hand side of the burner tray, and rests on the Pilot Shield, see Diagram 59.  
 Log C Locates on the front right stud, and rests on the front ember, see Diagram 59.  
 Log A rests across Log B, and touches the rear panel, see Diagram 59.



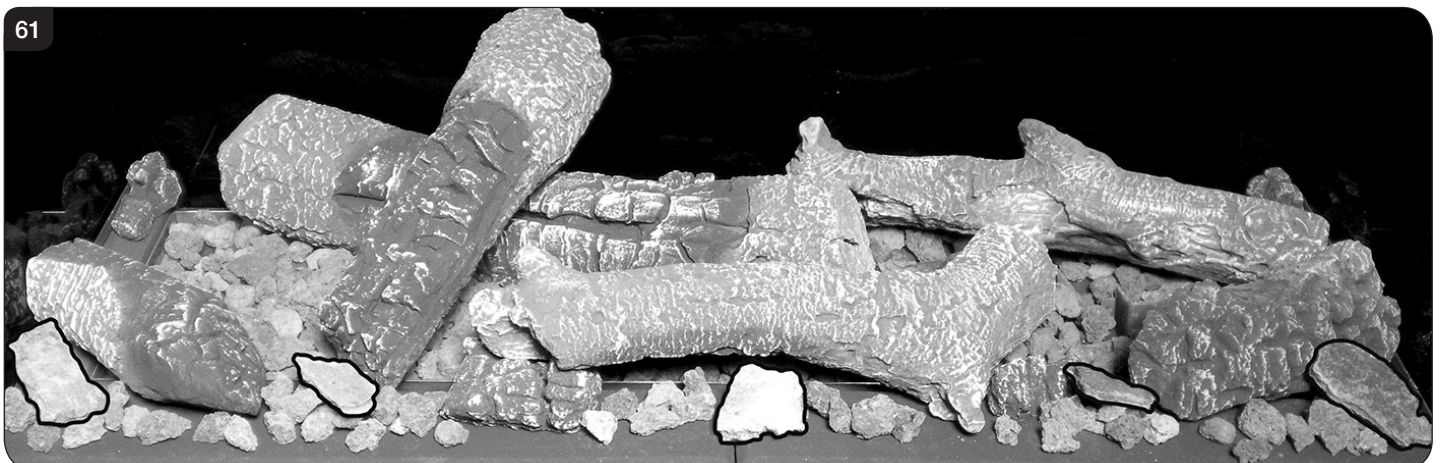
There are 2 Log H's, which are positioned on the front corners of the burner tray.

- 12.4 The left Log H is positioned with the charring facing in to the firebox, and the right is positioned with the charring facing out. Once in position the final ember can be placed between Log C and the right hand Log H, see Diagram 60.



- 12.5 Once all the logs are in place, spread the remaining lava rock across the front and side liners, see Diagram 61.  
**Take care not to spill the lava rock into the pilot area and the air gaps at the front and rear of the burner tray.**

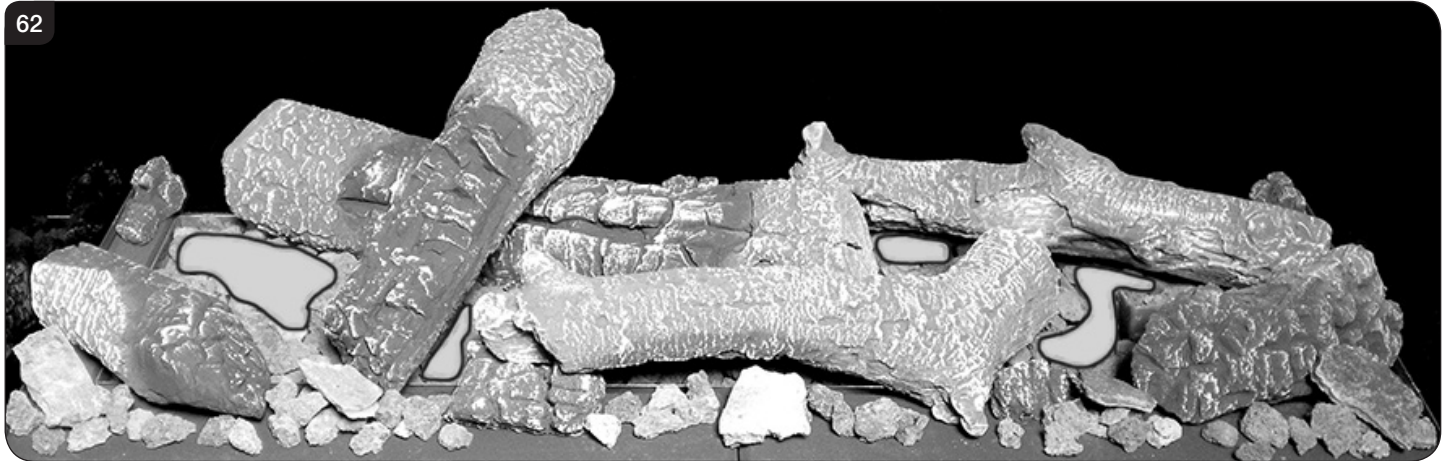
- 12.6 Break the pieces of slate into 2 pieces and spread randomly across the front liner, see Diagram 61.



# Installation Instructions

Separate the Embaglow material into smaller pieces and pull into shape to create a fine layer.

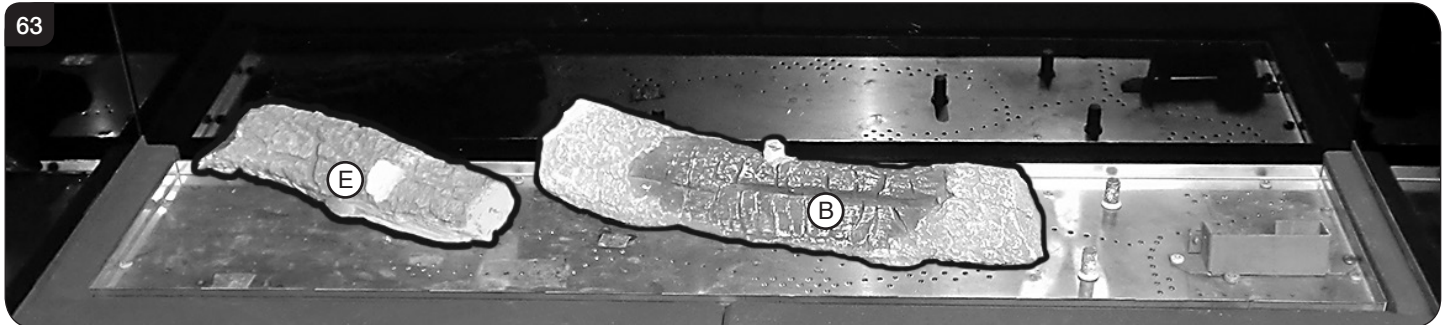
- 12.7 Sparingly spread an amount of the Embaglow fibres provided, covering the ports in the burner tray, see Diagram 62.  
Ensure the material is placed loosely to create a random glow.  
Take care not to use more than half a packet per application.  
**WARNING - DO NOT PLACE NEAR THE PILOT AREA.**



## Layout for Studio 2

All logs can be identified by a letter (A - H) on their underside. Logs, C, E and B, also have holes to locate onto a burner stud.

- 12.8 Log E locates onto the 2 left hand pins towards the rear of the burner tray, see Diagram 63.  
12.9 Log B locates onto the 2 central pins, see Diagram 63.



- 12.10 Once in place, spread the lava rock around the burner tray.  
**Take care not to spill the lava rock into the pilot area and the air gaps at the front and rear of the burner tray.**

The Studio 2 comes with 6 embers in total, 5 small and 1 large.

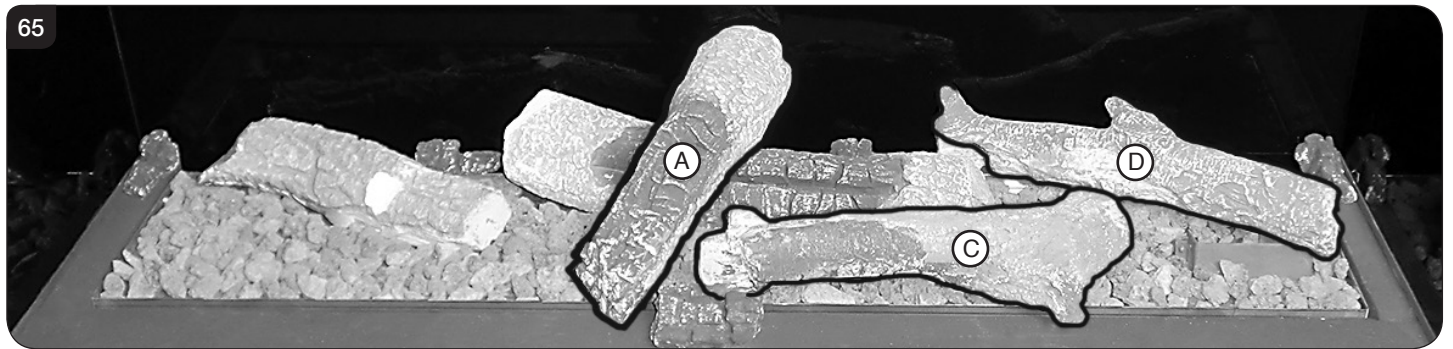
- 12.11 Position 2 small embers in each back corner. The third small ember fits against the back liner, between Logs E and B. The fourth is positioned behind the right hand side of Log B. The large ember is positioned in the middle front of the burner tray, see Diagram 64.

Please note that the final ember is placed after all the logs are in position.



# Installation Instructions

- 12.12 Log D is positioned on the right pin to the rear of the burner tray, and rests on the pilot shield, see Diagram 65.  
 Log C locates onto the front right pin and rests on the large ember, see Diagram 65.  
 Log A fits onto the stud in Log B and extends to the front liner, see Diagram 65.



- 12.13 Log F is positioned in the grooves in Log E and B, and rests on the front liner, see Diagram 66.  
 There are 2 Log H's, which are positioned on the front liner. The right hand Log H must be placed with the charred side facing out, and the left Log H with the charred side facing in, see Diagram 66.

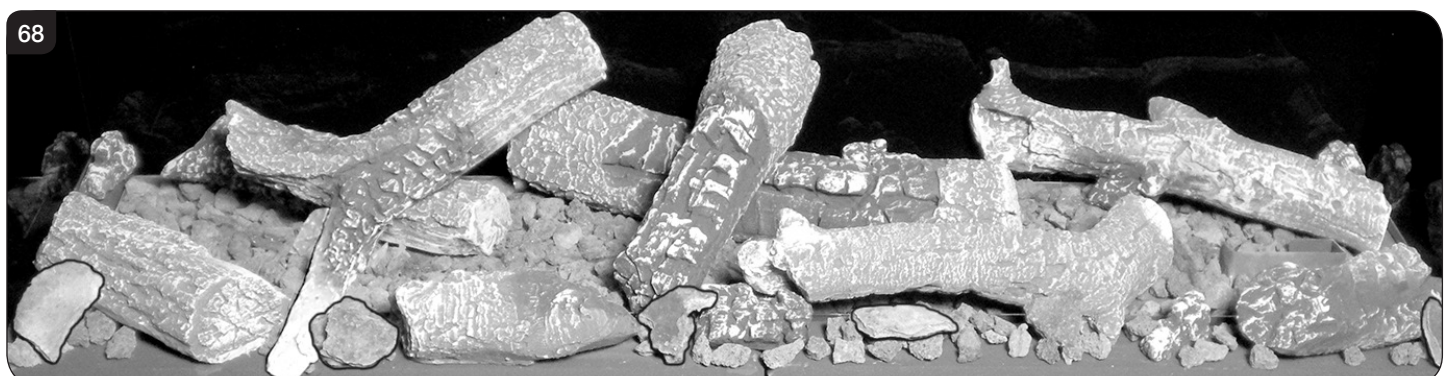


- 12.14 Log G sits on the left hand and front liner. Once in place the final ember can be positioned to the right of Log C, see Diagram 67.



- 12.15 Once all the logs are in place, spread the remaining lava rock across the front and side liners, see Diagram 68.  
**Take care not to spill the lava rock into the pilot area and the air gaps at the front and rear of the burner tray.**

- 12.16 Break the pieces of slate into 2 pieces and spread randomly across the front liner, see Diagram 68.



# Installation Instructions

Separate the Embaglow material into smaller pieces and pull into shape to create a fine layer.

- 12.17 Sparingly spread an amount of the Embaglow fibres provided, covering the ports in the burner tray, see Diagram 69.  
Ensure the material is placed loosely to create a random glow.  
Take care not to use more than half a packet per application.  
**WARNING - DO NOT PLACE NEAR THE PILOT AREA.**



## 13. Driftwood Layout

**LOGS MUST BE POSITIONED ACCORDING TO THE FOLLOWING INSTRUCTIONS TO GIVE THE CORRECT FLAME EFFECT.**

**THERE ARE TWO LOG SETS - AUTHENTIC LOG AND DRIFTWOOD. EACH SET IS FITTED USING THE SAME METHOD.**

### Layout for Studio 1

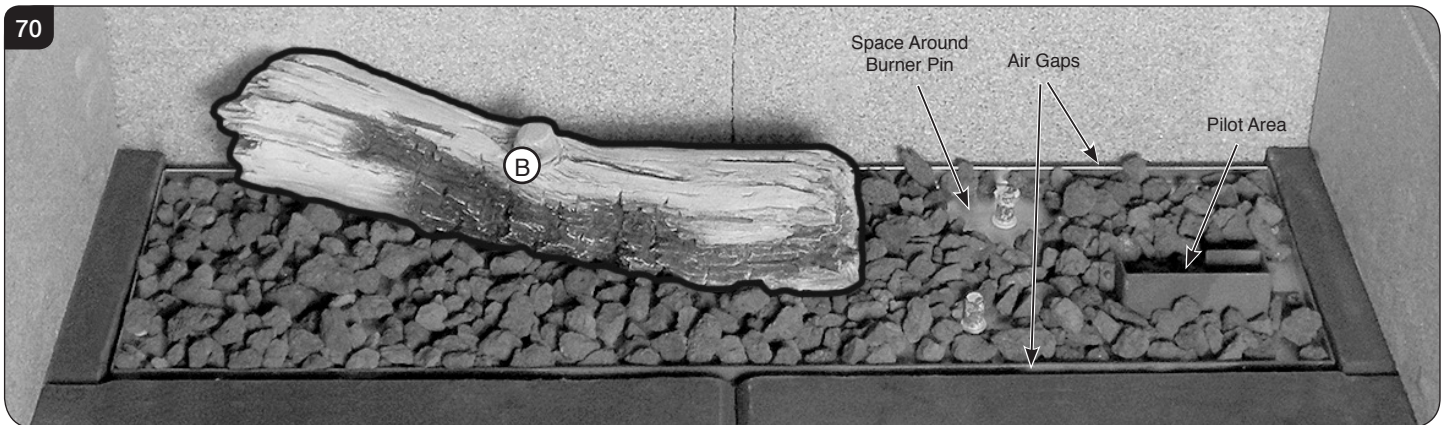
All logs can be identified by a letter (A - H & L) on their underside. Logs C and B have holes to locate each onto a burner stud (please note that the Studio 1 does not have Logs G, E, or F).

- 13.1 Position log B on the left hand side of the burner tray, locating onto the middle and back left studs.

Cover the remainder of the tray in lava rock, see Diagram 70.

**Take care not to spill the lava rock into the pilot area and the air gaps at the front and rear of the burner tray.**

Leave the space around the right hand burner pin free from lava rocks for positioning the next log, see Diagram 70.





# Installation Instructions

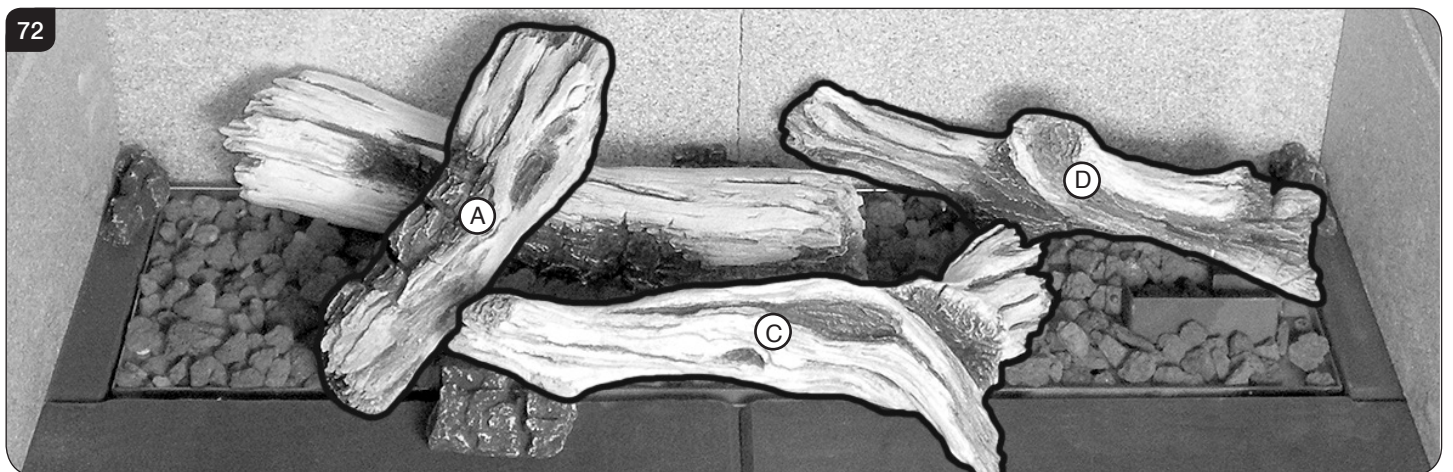
The Studio 1 comes with 6 embers in total, 5 small and 1 large.

- 13.2 Position 2 small embers in the left and right back corners, followed by 1 ember in the back centre of the appliance (behind Log B) and 1 in the front, slightly off-centre, see Diagram 71.

Please note that the final embers are placed after all the logs are in position.



- 13.3 Log D is positioned in the rear right hand side of the burner tray, and rests on the Pilot Shield, see Diagram 72.  
**Ensure the log rests on the burner tray and not lava rocks.**  
Log C Locates on the front right stud, and rests on the front ember, see Diagram 72.  
Log A fits onto the stud in Log B and extends to the front liner, see Diagram 72.



- 13.4 Log H sits across the right hand and front liners, with the charred side facing out, see Diagram 73.  
Log L sits across the left hand and front liners, with the charring facing left, see Diagram 73.  
Once all the logs are in place the remaining 2 small embers can be positioned on the front liner.
- 13.5 Position the first small ember between Log C and Log H on the front liner and the second small ember in front of Log C, see Diagram 73.



# Installation Instructions

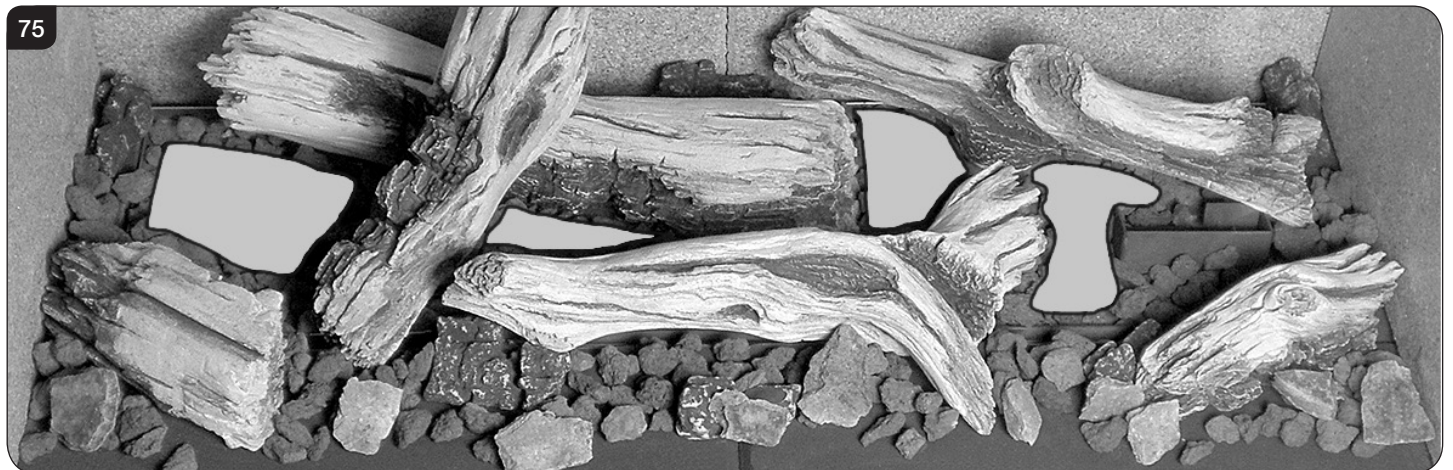
13.6 Once all the logs are in place, spread the remaining lava rock across the front and side liners, see Diagram 74.  
**Take care not to spill the lava rock into the pilot area and the air gaps at the front and rear of the burner tray.**

13.7 Break the pieces of slate into 2 pieces and spread randomly across the front liner, see Diagram 74.



Separate the Embaglow material into smaller pieces and pull into shape to create a fine layer.

13.8 Sparingly spread an amount of the Embaglow fibres provided, covering the ports in the burner tray, see Diagram 75.  
Ensure the material is placed loosely to create a random glow.  
Take care not to use more than half a packet per application.  
**WARNING - DO NOT PLACE NEAR THE PILOT AREA.**

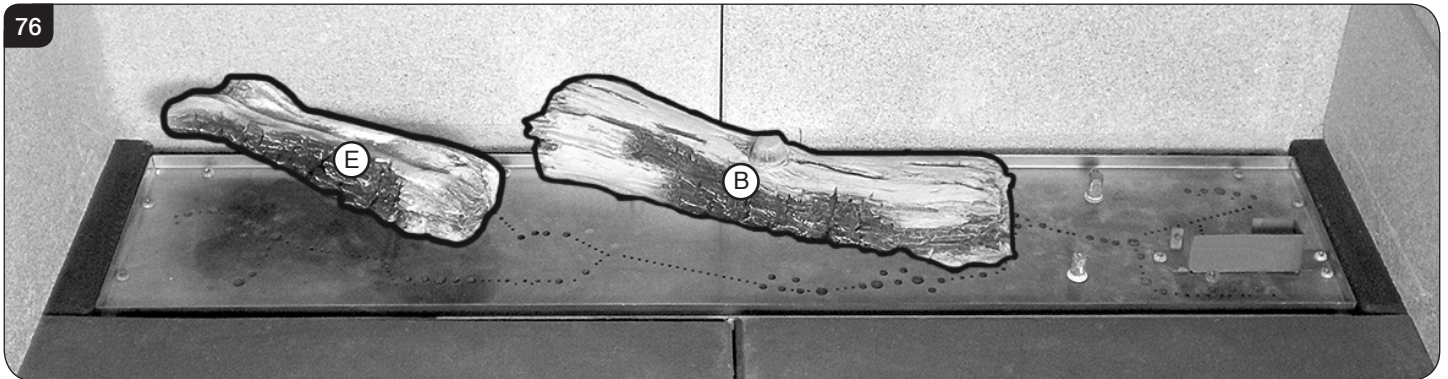


# Installation Instructions

## Layout for Studio 2

All logs can be identified by a letter (A - H & L) on their underside. Logs, C, E and B, also have holes to locate onto a burner stud.

- 13.9 Log E locates onto the 2 left hand pins towards the rear of the burner tray, see Diagram 76.  
Log B locates onto the 2 central pins, see Diagram 76.



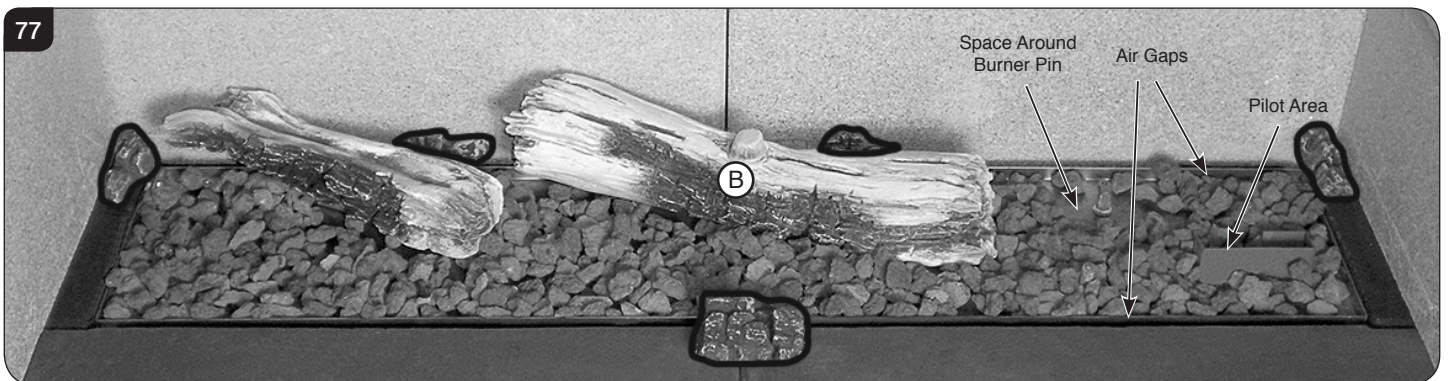
- 13.10 Once in place, spread the lava rock around the burner tray, see Diagram 77.  
**Take care not to spill the lava rock into the pilot area and the air gaps at the front and rear of the burner tray.**

Leave the space around the right hand burner pin free from lava rocks for positioning the next log, see Diagram 77.

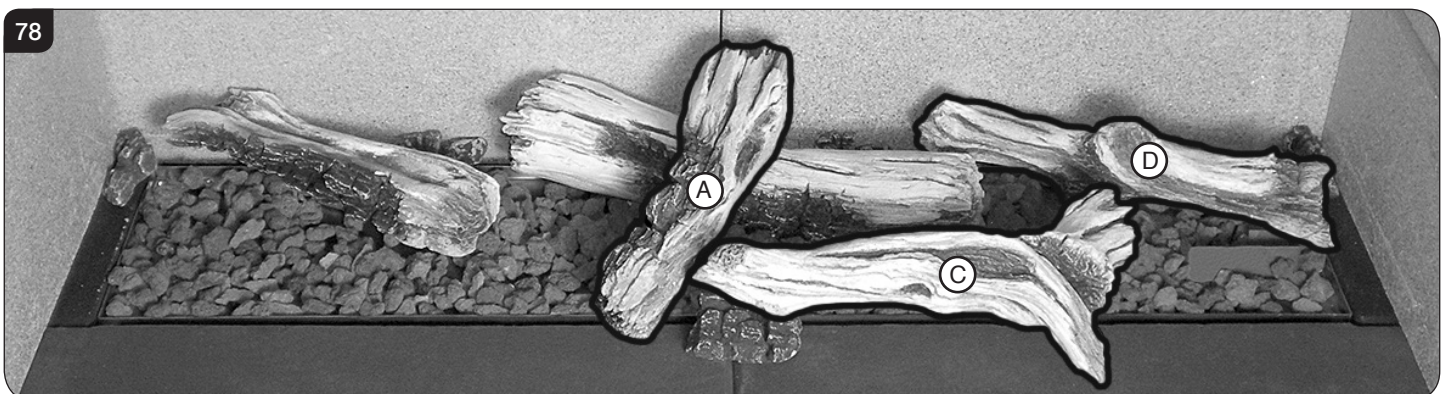
The Studio 2 comes with 7 embers in total. 6 small and 1 large.

- 13.11 Position 2 small embers in each back corner. The third small ember fits against the back liner, between Logs E and B. The fourth is positioned behind the right hand side of Log B. The large ember is positioned in the middle front of the burner tray, see Diagram 77.

Please note that the final embers are placed after all the logs are in position.

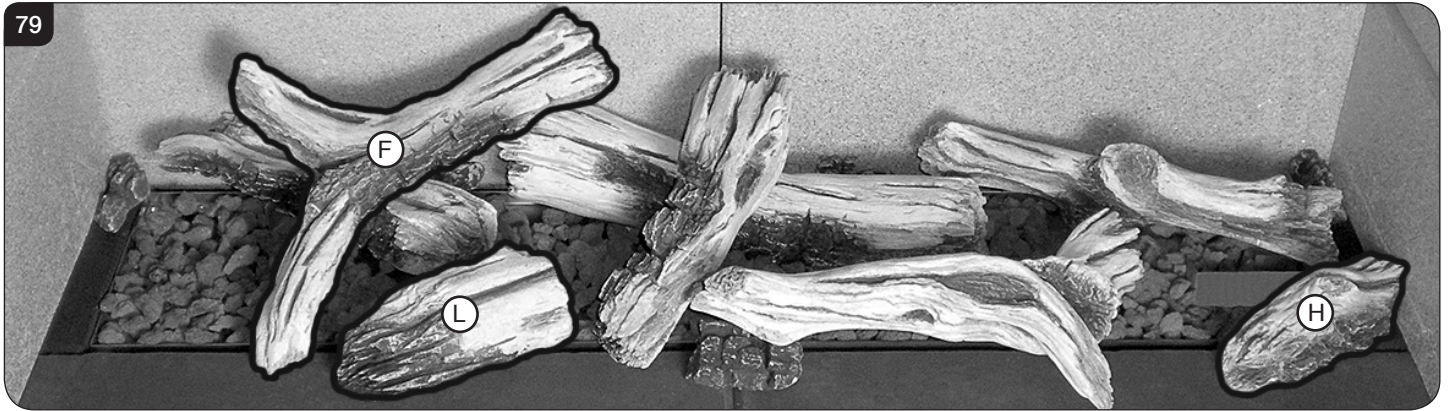


- 13.12 Log D is positioned on the right pin to the rear of the burner tray, and rests on the Pilot Shield, see Diagram 78.  
**Ensure the log rests on the burner tray and not lava rocks.**  
Log C locates onto the front right pin and rests on the large ember, see Diagram 78.  
Log A fits onto the stud in Log B and extends to the front liner, see Diagram 78.



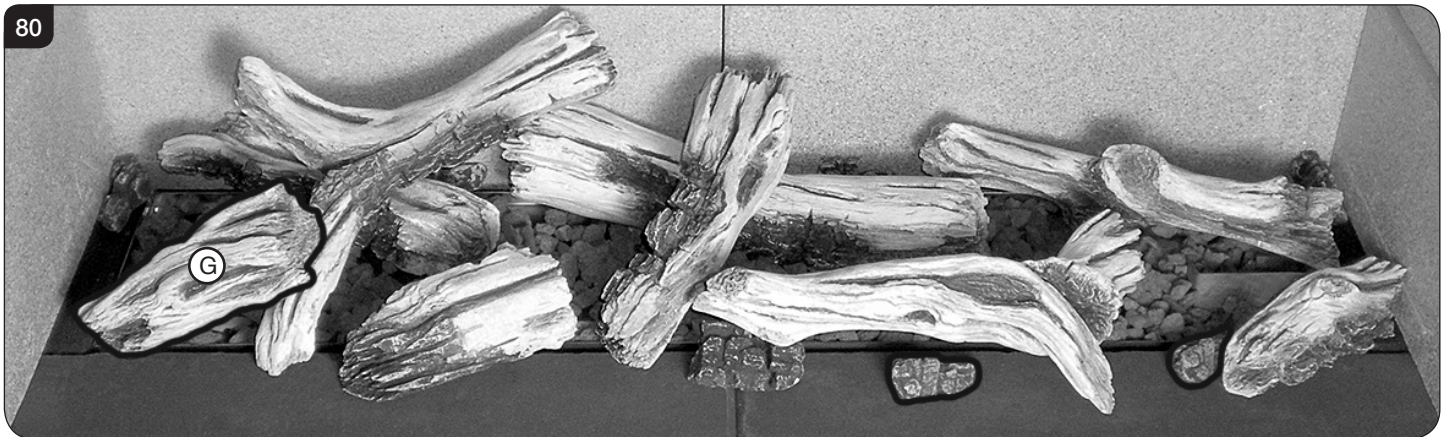
# Installation Instructions

- 13.13 Log F is positioned in the grooves in Log E and B, and rests on the front liner, see Diagram 79.  
Log H sits across the right hand and front liners, with the charred side facing out, see Diagram 79.  
Position Log L on the front liner between Log F and Log A, see Diagram 79.



- 13.14 Position the left hand side of Log G in the groove of the front air gap with the right hand side resting on Log F, see Diagram 80.  
Once all the logs are in place the remaining 2 small embers can be positioned on the front liner.

- 13.15 Position the first small ember between Log C and Log H on the front liner and the second small ember in front of Log C, see Diagram 80.



- 13.16 Once all the logs are in place, spread the remaining lava rock across the front and side liners, see Diagram 81.  
**Take care not to spill the lava rock into the pilot area and the air gaps at the front and rear of the burner tray.**

- 13.17 Break the pieces of slate into 2 pieces and spread randomly across the front liner, see Diagram 81.



# Installation Instructions

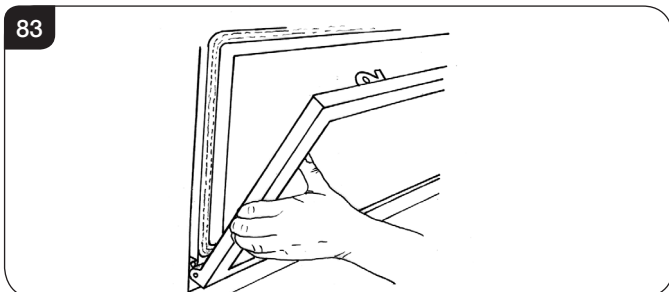
Separate the Embaglow material into smaller pieces and pull into shape to create a fine layer.

- 13.18 Sparingly spread an amount of the Embaglow fibres provided, covering the ports in the burner tray, see Diagram 82. Ensure the material is placed loosely to create a random glow. Take care not to use more than half a packet per application.  
**WARNING - DO NOT PLACE NEAR THE PILOT AREA.**

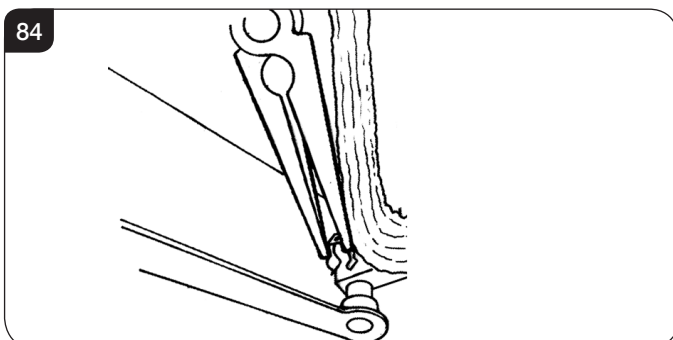


## 14. Completion of Assembly

- 14.1 To fit the window frame keep the frame in the upright position with the locks uppermost.  
14.2 Offer the frame to the foot of the opening.  
14.3 Slide the frame to the right to locate the right hinge pin.

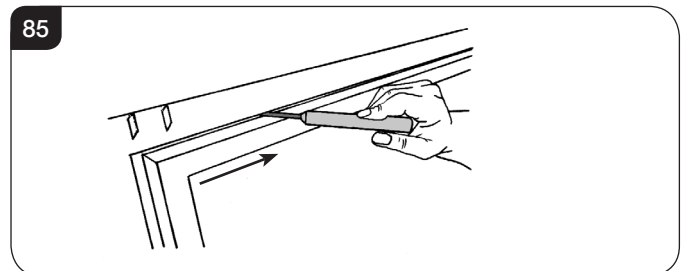


- 14.4 Manoeuvre the frame up towards the left side to locate the left hinge pin.  
14.5 Slide onto the hinge with a right movement.  
14.6 Secure in place with a spring clip at the right hinge pin, see Diagram 84.



- 14.7 Close the window.

- 14.8 Using the hexagon key provided close the window locks by moving from open to shut towards the window centre, see Diagram 85.



- 14.9 **When closing the door ensure the door catches are fully engaged.**



**UNDER NO CIRCUMSTANCES SHOULD THE APPLIANCE BE USED WITHOUT THE CATCHES HOLDING THE DOOR IN PLACE.**

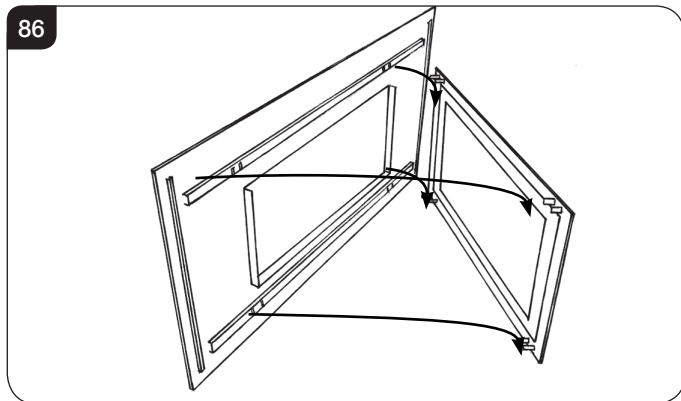
# Installation Instructions

## 15. Decorative Frame

The fitting of the frame requires 2 people.

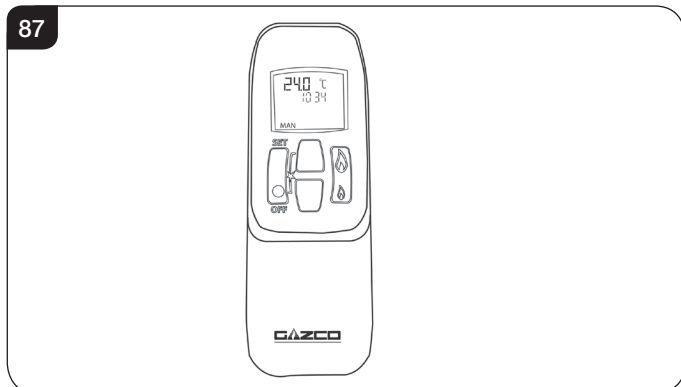
### To attach the frame:

- 15.1 Rest the lower fixing angle of the frame onto the bottom brackets attached to the appliance flange.
- 15.2 Lift the upper angle onto the top brackets and lower, see Diagram 86.



## 16. Lighting the Appliance

The appliance is operated by thermostatic remote control.



This remote controls the appliance from pilot ignition through to shut down.

In 'MANUAL MODE' you can:

- light the pilot
- turn on the main burner
- regulate the flame from low to high and back
- turn off the burner leaving just the pilot burning

In 'TEMP MODE' you can:

- set the room temperature so the appliance automatically maintains that temperature

In 'TIMER MODE' the fire:

- turns on and off according to the set time periods
- automatically regulates the room temperature during the set periods

### 16.1 Turning the appliance On:

Your remote can control the gas fire from pilot ignition through to shut down.

To turn the fire on press the OFF button and the UP button simultaneously. You hear several short signals.

**The pilot and main burner ignite and the remote is now in Manual Mode:**

### Turning the appliance Off:

Press the OFF button to turn the appliance off.

**FOR SAFETY, YOU MUST WAIT 30 SECONDS BEFORE LIGHTING THE FIRE AGAIN.**



**IMPORTANT: YELLOW FLAMES TYPICALLY APPEAR WHEN THE APPLIANCE HAS REACHED NORMAL OPERATING TEMPERATURE. THIS CAN TAKE UP TO 30 MINUTES.**



**WARNING: IF THE APPLIANCE FAILS TO LIGHT OR BECOMES EXTINGUISHED IN USE, WAIT 3 MINUTES BEFORE ATTEMPTING TO RELIGHT.**

**FOR FULL OPERATING INSTRUCTIONS AND TROUBLESHOOTING SEE USER SECTION.**

## Troubleshooting



**IMPORTANT: In the unlikely event that the handset fails to communicate correctly with the appliance it may be necessary to turn off the gas supply at the isolation valve until any problems can be resolved.**

The gas meter and isolation valve can be located outside in a meter box, under the stairs, beneath the kitchen sink or in the garage. Whilst this list is not exhaustive, it is important to be able to identify the location of the valve in case of any gas emergency.

To turn off the gas supply, simply turn the handle so the lever is at 90 degrees to the upright gas pipe.

If you smell gas, open doors and windows and never operate any electrical switches. Immediately call the Gas Emergency Services on 0800 111 999.

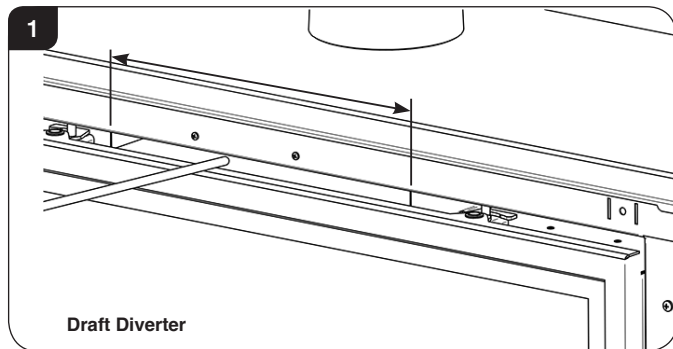
# Commissioning

## 1. Commissioning

- 1.1 Check the flame picture, log/pebble layout.
- 1.2 Check the gas pressure.
- 1.3 Close all door and windows in the room.
- 1.4 Ignite the Studio and operate on maximum for 5 minutes.
- 1.5 Position a lighted smoke match just inside the draught diverter opening and check all smoke is drawn in along the opening.

If there is any doubt:

- 1.6 Run the appliance for a further 10 minutes and repeat the test, see Diagram 1.



- 1.7 Complete the Commissioning Checklist at the front of this manual covering:
  - Thermocouple soundness checks.  
This is to include ensuring the thermocouple is secure on the pilot bracket assembly, lead connection and integrity.
  - Flue checks
  - Gas checks
  - Log layout - flame picture

For working pressure test, use the access panel at the gas connection ensuring the burner is in position. Refer to Replacement Parts, Section 17.
- 1.8 Upon completion of the commissioning and testing of the installation and correct operation of the appliance, the installer must instruct the user how to operate the appliance.
- 1.9 Guide the user through the User Instructions paying particular attention to:
  - a) Regular servicing (Section 7 of the User Instructions).
  - b) Ventilation (Section 8 of the User Instructions) - point out the ventilation positions where applicable.
  - c) Hot surfaces (Section 10 of the User Instructions).
  - d) How the appliance works with the remote control handset and the modes of operation (Section 2 of the User Instructions).

e) How to change settings in the auto mode and program modes of operation.

f) What to do if the appliance fails to operate (Section 11 of the User Instructions).

If there are any extractor fans in the room or adjacent rooms, the test must be repeated with the fans running on maximum.

**IF SPILLAGE PERSISTS, DISCONNECT THE APPLIANCE AND SEEK EXPERT ADVICE.**

For future reference, record the installation details on the Commissioning Sheet on page 3.

- 1.10 **In the unlikely event that the appliance is receiving interference from other electronic devices, re-programme the handset/Control box.**

### Reprogramming handset/Control box

To access the control box see Servicing Instructions, Section 7 - Main Control Assembly.

- Press and hold the reset button on the control box until you hear two signals. After the second longer signal:
- Release the reset button and within 20 seconds:
- Press the DOWN button on the handset until you hear two additional short signals confirming the new code is set. If there is a single long signal the code learning sequence has failed or the wiring is incorrect.

# Servicing Instructions

## Servicing/Fault Finding Charts

### 1. Servicing Requirements

**IMPORTANT – The glass panel on this appliance should be checked for any signs of damage on the front face of the glass panel (scratches, scores, cracks or other surface defects). If damage is observed, the glass panel must be replaced and the appliance must not be used until a replacement is installed. Under no circumstances should the appliance be used if any damage is observed. Please isolate the appliance until a replacement glass panel has been obtained and installed. Replacement glass panels can be purchased from Gazco via the retailer from which the appliance was purchased or any other Gazco distributor.**

This appliance must be serviced at least once a year by a competent person.

All tests must be carried out in accordance with the current GasSafe recommendations.

#### 1.1 Before Testing:

- Conduct a gas soundness test for the property ensuring there are no leaks before servicing.
- Check the operation of the appliance before testing.

#### 1.2 Special checks:

- Clean the burner using a vacuum cleaner with a soft brush attachment. Ensure all debris is removed from the burner ports.

- Clean away lint or fluff from the pilot.
- Clean away lint or fluff from under the burner.
- Check the spark gap on the pilot is correct.

1.3 Correct any faults found during the initial test.

1.4 Re-commission the appliance in accordance with Commissioning Procedures of these instructions.

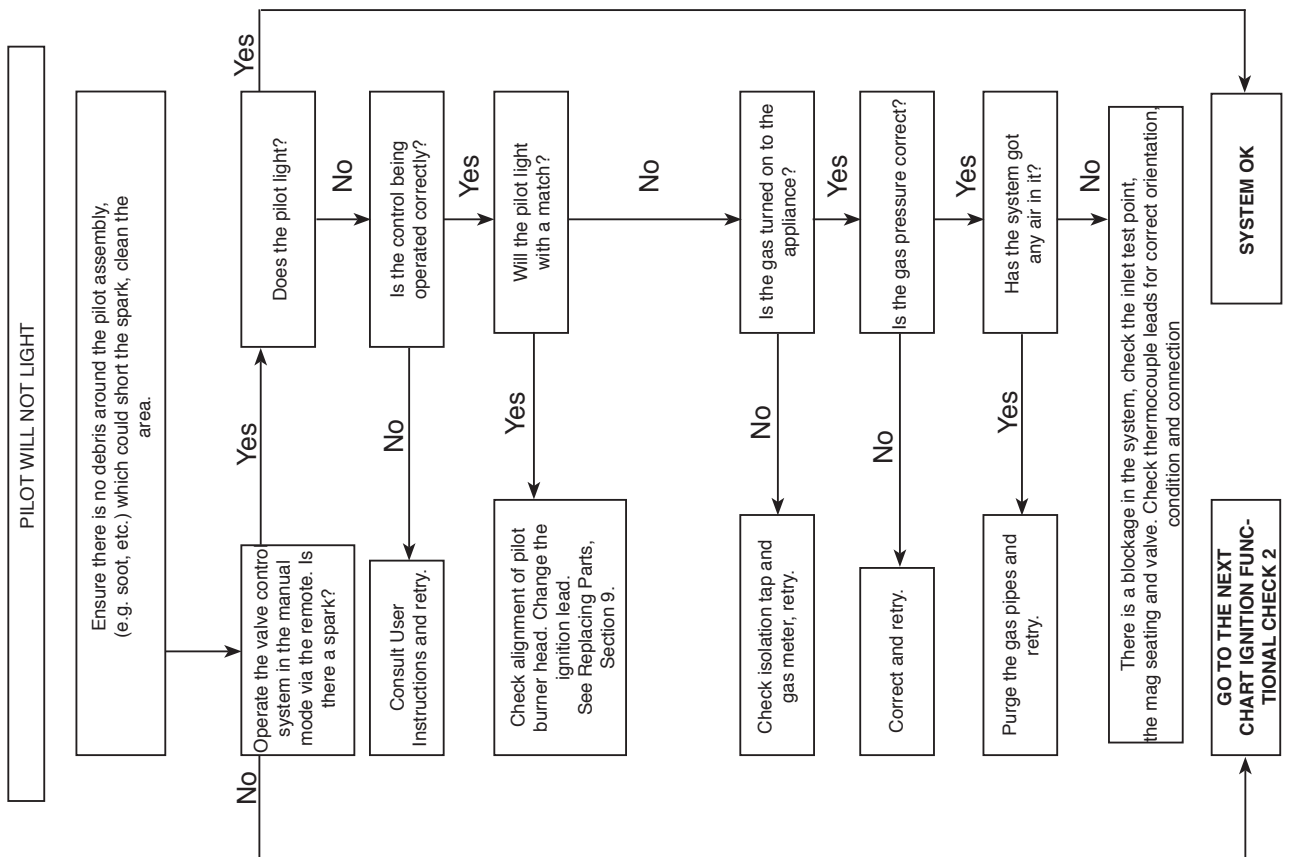
1.5 Advise the customer of any remedial work undertaken.

### REPLACE BATTERIES BEFORE ATTEMPTING TO RECTIFY ANY FAULTS.

#### ELECTRONIC CONTROL VALVE FAULT ANALYSIS

Symptom	Cause	Remedy
Frequent beeps for 3 seconds after operation request	Batteries low in appliance	Replace appliance batteries
No ignition, 5 second continuous tone (there may be several short beeps before)	Loose/damaged wire	Check interrupter block and wires
No ignition, no tone, motor turns slightly when operated	Receiver board damaged	Replace receiver
No pilot flame and control continues to spark	Thermocouple circuit wired incorrectly	Correct wiring
Pilot lights, control continues to spark, valve shuts down after 10 - 30 seconds	1. No spark at pilot burner 2. Loose/damaged wire	1. Rectify spark at pilot burner 2. Check interrupter and wires

### IGNITION FUNCTIONAL CHECK 1

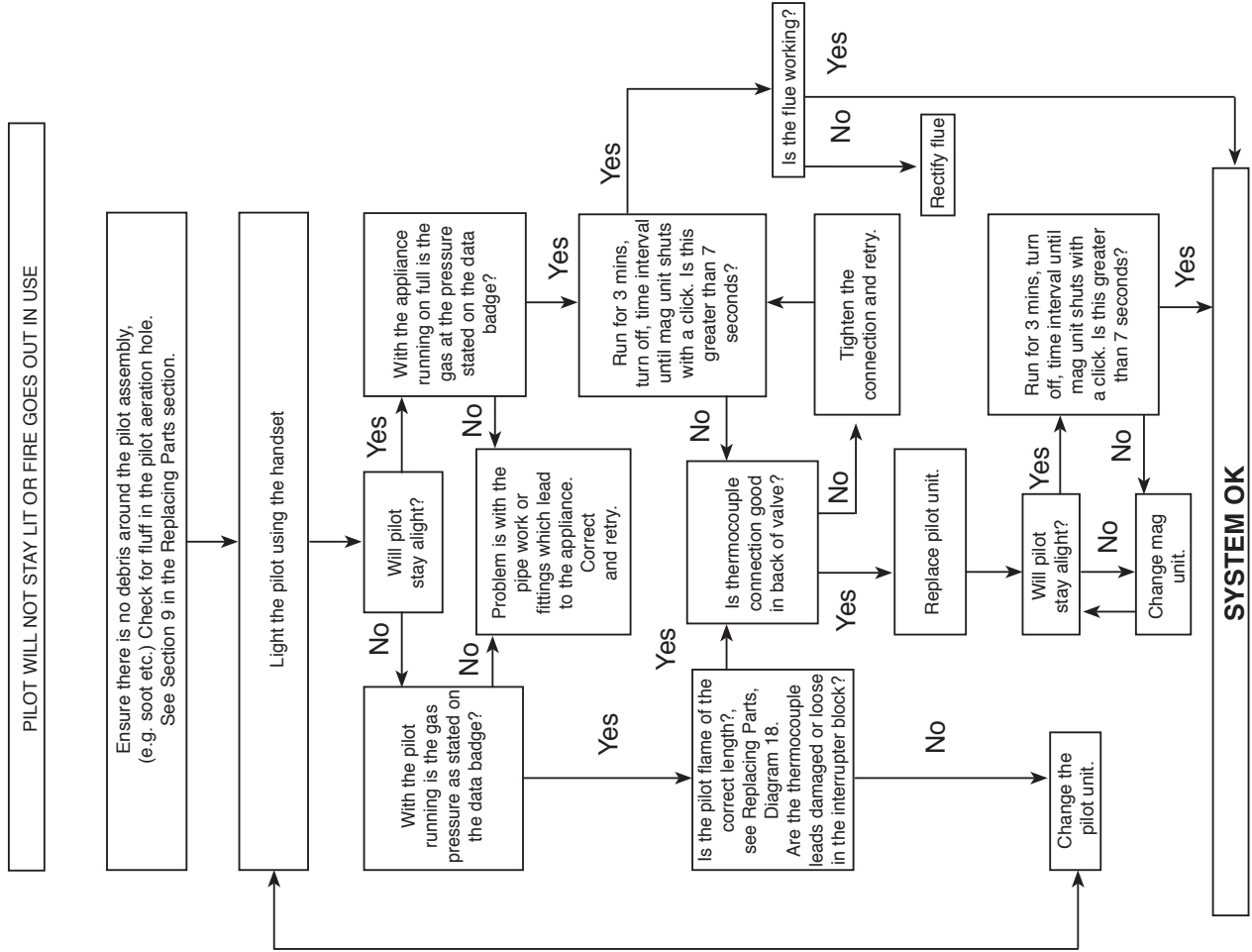




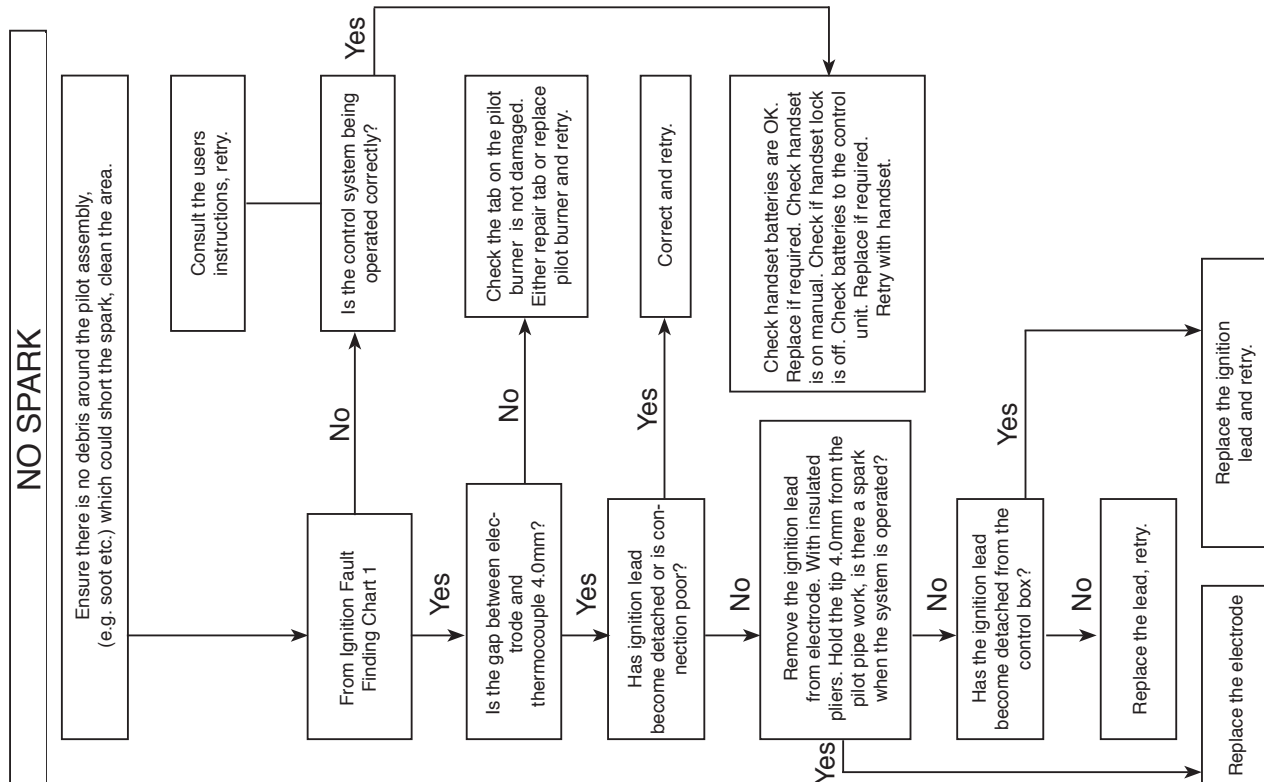
# Servicing Instructions

## Fault Finding Charts

### FLAME FAILURE FUNCTIONAL CHECK 3



### IGNITION FUNCTIONAL CHECK 2



# Servicing Instructions - Replacing Parts

## 1. General

- 1.1 All main components can be replaced without removing the appliance from its installation.

**IT IS ESSENTIAL THAT THE GAS SUPPLY TO THE APPLIANCE IS TURNED OFF AT THE ISOLATION DEVICE BEFORE PROCEEDING FURTHER.**

- 1.2 **DISCONNECT BATTERIES BEFORE SERVICING THE APPLIANCE.**

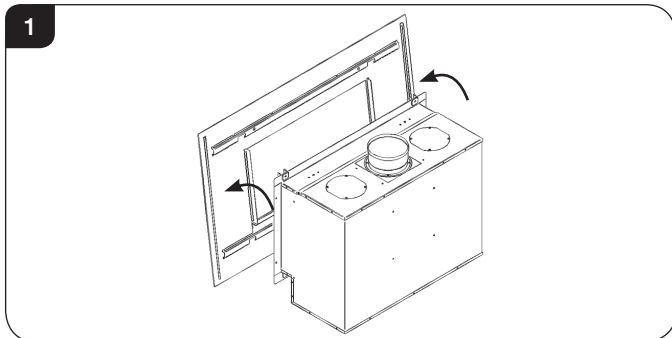
### Removal of Flue

- 1.3 **If, for any reason, the flue has to be removed from the appliance, the seal must be replaced in the inner spigot.**
- 1.4 Access to the controls is restricted and the whole control assembly must be removed as one unit (see Section 7 below).

## 2. Decorative Frame

The same method is used to remove each frame.

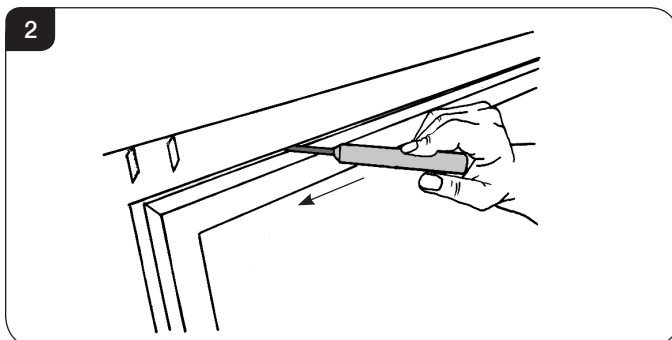
- 2.1 Lift the frame upwards off the four support brackets, see Diagram 1.



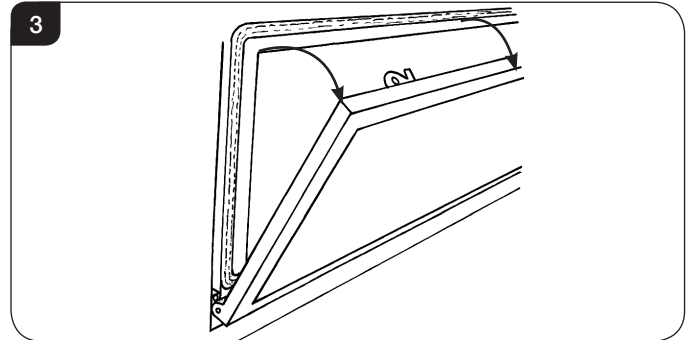
**NOTE: THE STEEL FRAME IS HEAVY. TAKE CARE WHEN LIFTING.**

## 3. Window Frame Assembly

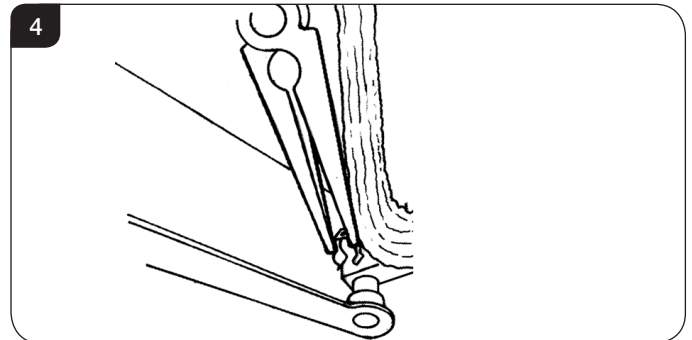
- 3.1 To open the glass door use the hexagon key provided.
- 3.2 Release the window locks by moving them from shut to open towards the outer edges, see Diagram 2.



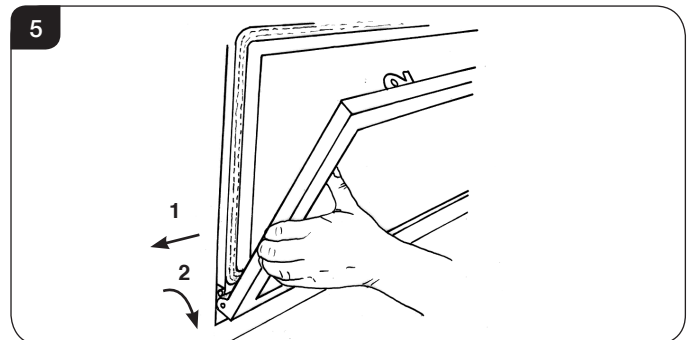
- 3.3 To completely remove the glass front:
- 3.4 Support the frame and lower it gently forward down to its natural stop position, see Diagram 3.  
**DO NOT EXERT PRESSURE ON THE DOOR ONCE THERE IS RESISTANCE.**



- 3.5 Remove the securing spring clip from the bottom-right of the window frame, see Diagram 4.

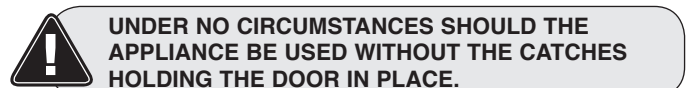


- 3.6 With the window frame in an upright position slide the frame to the left so that it comes off the left hinge pin, see Diagram 5 (1).
- 3.7 Still keeping the frame upright drop the left side down and forward slightly, see Diagram 5 (2).



- 3.8 Slide the frame to the right so it comes off the right hinge pin. The window frame should now be free.
- 3.9 Refit the Window Frame Assembly in reverse order.

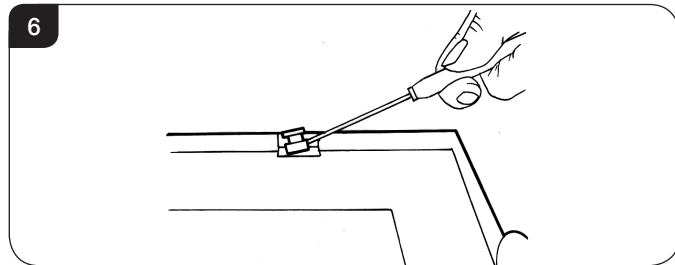
**When closing the door ensure the door catches are fully engaged.**



# Servicing Instructions - Replacing Parts

## 4. Glass Window

- 4.1 Remove the two clips and brackets from either side of the frame, see Diagram 6.



- 4.2 Lift the glass clear from the lock bracket at the top of the frame and slide out.

## 5. Liners

- 5.1 The Studio appliances have the option of 3 different liner finishes:

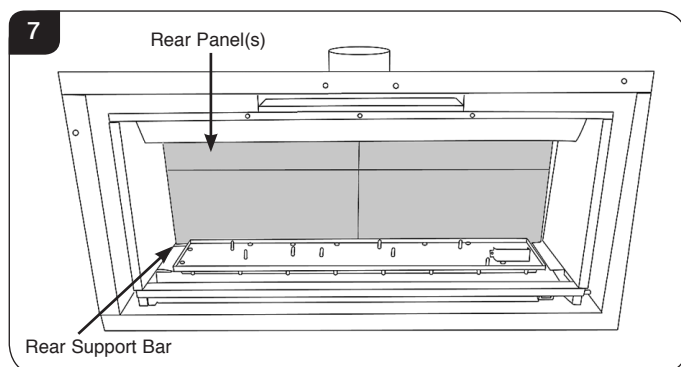
Vermiculite  
Black Reeded Panels  
Black Glass Linings

### Vermiculite & Black Reeded

**NOTE: ALL FRONT PANELS ARE IN TWO PIECES.**

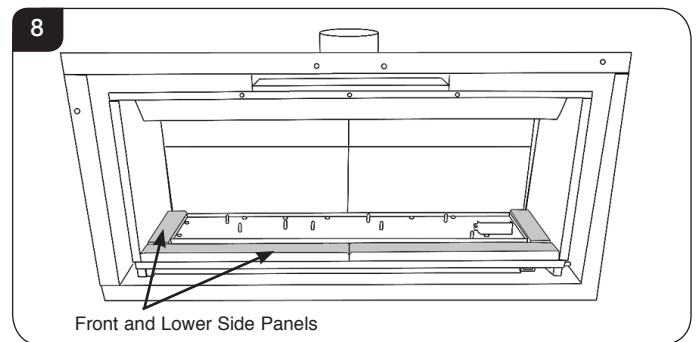
**HOLD THE REAR PANELS UNTIL ALL THE OTHER PANELS ARE IN PLACE AS THEY CAN FALL FORWARD.**

- 5.2 Place the rear panel(s) behind the locating bracket on the rear support bar.
- 5.3 Centralise the rear panel(s) with the chamfers touching and pushed together, see Diagram 7.

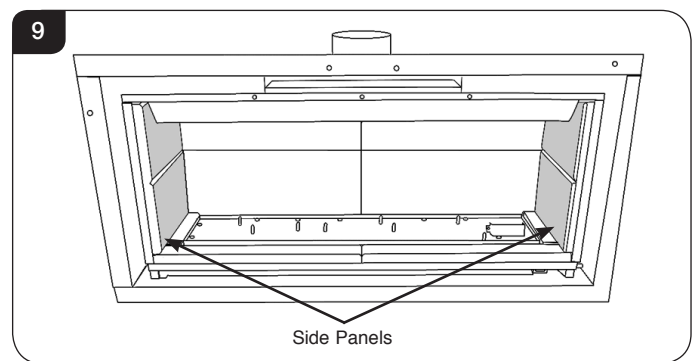


- 5.4 Place the lower side and front panels in position so the chamfers meet at the front edge of the burner.

- 5.5 Ensure the 2-piece front panels are engaged against the centre support tags on the burner and are pushed together in the middle, see Diagram 8.



- 5.6 Slide the 2 side panels up to the rear panel, see Diagram 9.



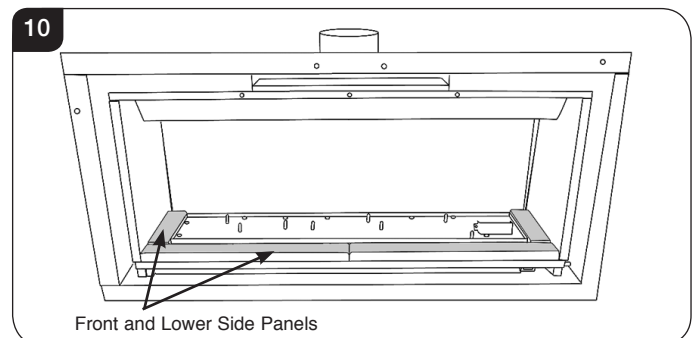
**NOTE: THE HORIZONTAL CHAMFERS MUST ALIGN ON THE REAR AND SIDE PIECES.**

### Black Glass

**NOTE: ALL REAR PANELS ARE ONE PIECE.**

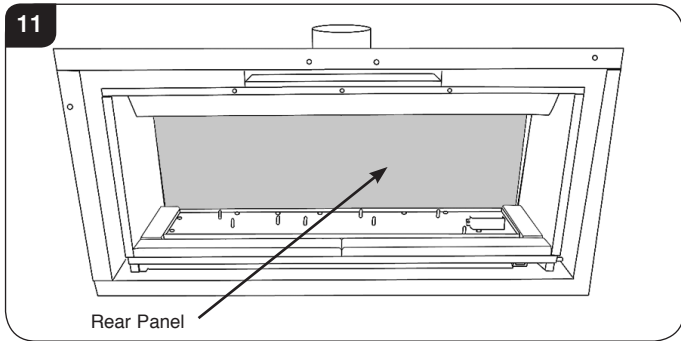
**HOLD THE REAR PANEL UNTIL ALL THE OTHER PANELS ARE IN PLACE AS THEY CAN FALL FORWARD.**

- 5.7 Place the lower side and front panels in position so the chamfers meet at the front edge of the burner.
- 5.8 Ensure the 2-piece front panels are engaged against the centre support tags on the burner and are pushed together in the middle, see Diagram 10.

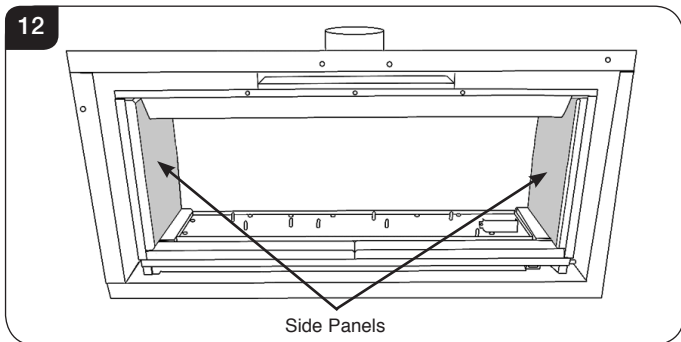


# Servicing Instructions - Replacing Parts

5.9 Fit and centralise the rear panel, see Diagram 11.



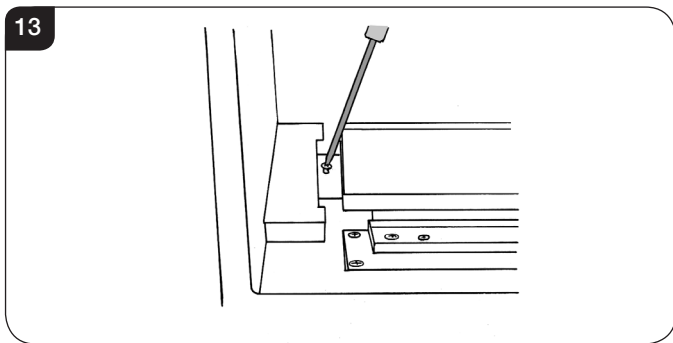
5.10 Slide the 2 side panels up to the rear panel, see Diagram 12.



## 6. Main Burner

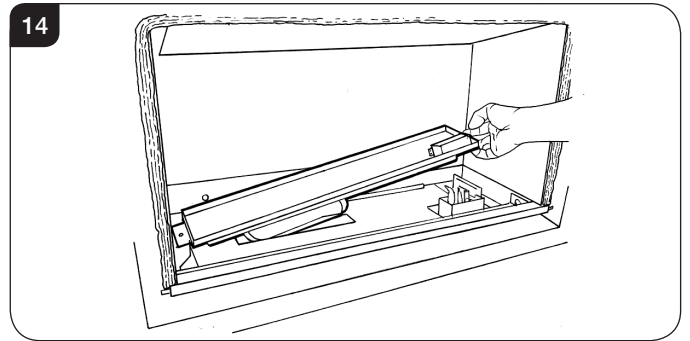
To replace the main burner:

- 6.1 Remove the fuel effect from the burner.
- 6.2 Remove the burner securing screw from the left side of the burner, see Diagram 13.



6.3 Slide the burner fully to the left.

6.4 Lift the right side clear of the pilot, see Diagram 14.



- 6.5 Slide the burner to the right and out of its location.
- 6.6 Refit in reverse order.
- 6.7 When refilling the fuel effect fill to the level of the rim of the burner tray and flatten level.

**TAKE CARE NOT TO SPILL THE EFFECT INTO THE PILOT AREA.**

**STACK STONES EFFECT IN FRONT OF THE PILOT SHIELD TO OBSCURE THE BLACK METAL SHIELD.**

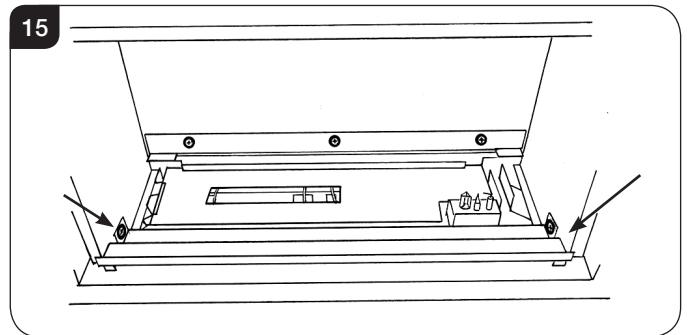
## 7. Main Control Assembly

7.1 To access the main control assembly first remove:

- The decorative Steel frame (if fitted)
- Window frame
- Main burner
- Splitter plate

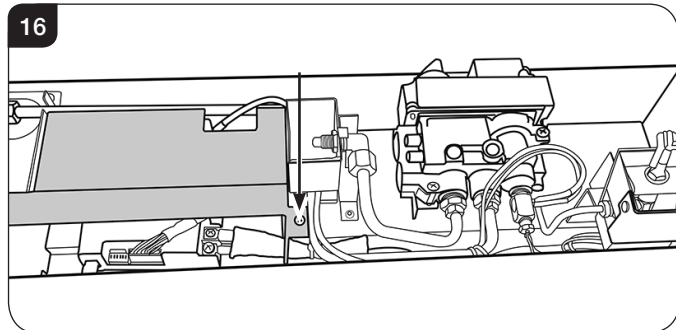
7.2 To remove the splitter plater:

- Loosen the fixing screws (one each side).
- Lift the front of the plate off the screws.
- Pull forward and upwards, see Diagram 15.

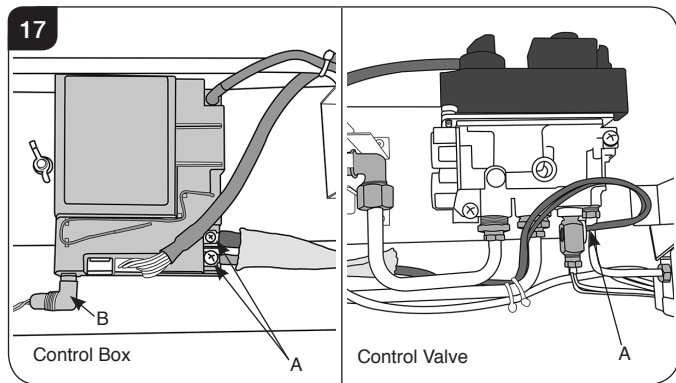


# Servicing Instructions - Replacing Parts

- 7.3 It is now possible to access all of the Main Control Assembly. The control box is covered by a metal bracket, see Diagram 16.  
Remove the screw securing the bracket and lift off carefully.



- 7.4 Disconnect the two cables marked 'A' in Diagram 17.

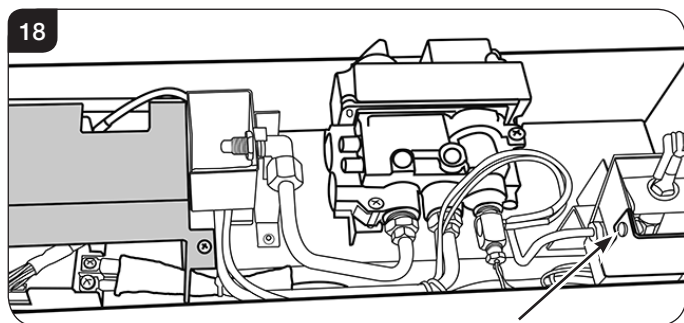


- 7.5 Disconnect the battery extension lead, Diagram 17, B.  
The control assembly can now be lifted up and removed.  
7.6 Reassemble in reverse order.

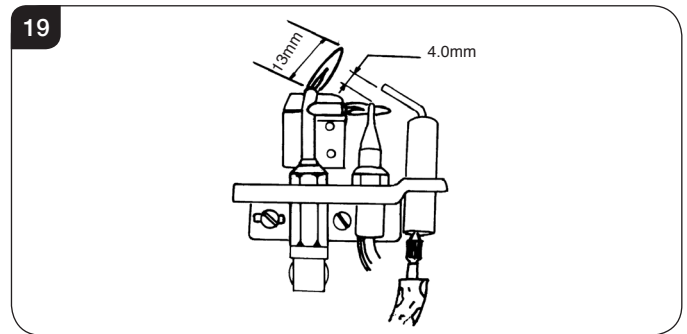
## 8. Pilot Unit Assembly

**IMPORTANT: UNDER THE TERMS OF THE EXTENDED WARRANTY IT WILL BE COMPULSORY TO CHANGE THE COMPLETE PILOT UNIT ON THIS APPLIANCE IN YEARS 2 AND 4.**

- 8.1 Remove the screw retaining the pilot cover.



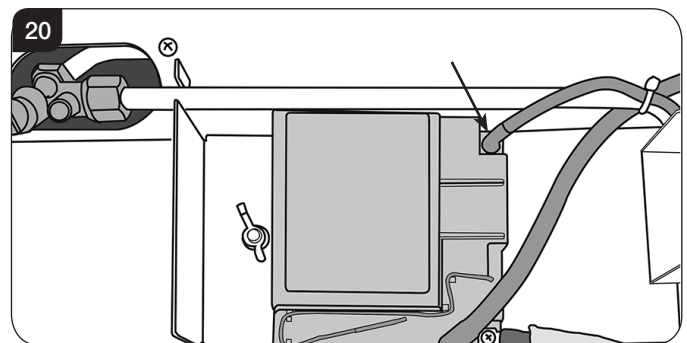
- 8.2 Cut the cable tie retaining the vida flex sleeve and disconnect the ignition lead from the electrode.



- 8.3 Undo the pilot pipe and thermocouple from the rear of valve.  
8.4 Remove the two fixing screws and retain the vida flex sleeve which is needed for the replacement.  
8.5 Replace in reverse order.  
8.6 Ensure the thermocouple and ignition lead are threaded through the vida flex and secured with a cable tie. There is a cut out in the pilot shroud to hold the vida flex.  
8.7 Check for gas leaks.

## 9. Ignition Lead

- 9.1 Cut the cable tie securing the vida flex (if present) and disconnect the ignition lead from the electrode.  
9.2 Pull the lead through the vida flex.  
9.3 Cut the remaining cable ties and disconnect the lead from the control box, see Diagram 20.



- 9.4 Replace in reverse order.  
9.5 Ensure the lead is passed through the vida flex, secured with a cable tie and the red insulated end is attached to the electrode.

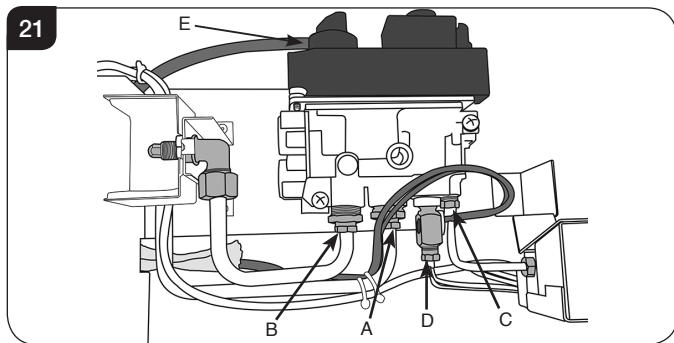
**NOTE: DO NOT ROUTE THE IGNITION LEAD IN THE VICINITY OF THE ANTENNA ON THE CONTROL BOX. THIS DAMAGES THE COMPONENTS.**

# Servicing Instructions - Replacing Parts

## 10. Gas Valve

To change the gas valve:

- 10.1 Disconnect the gas inlet pipe, Diagram 21, Arrow A.
- 10.2 Disconnect the gas outlet pipe, Diagram 21, Arrow B.
- 10.3 Disconnect the pilot pipe, Diagram 21, Arrow C.
- 10.4 Disconnect the thermocouple, thermo current wires and the interrupter block, Diagram 21, Arrow D.
- 10.5 Remove the two screws and rotate the valve to access the front.
- 10.6 The cable can now be removed from the valve, Diagram 21 Arrow E.



Replace in reverse order ensuring and check for leaks.

## 11. Magnetic Safety Valve

To replace the magnetic safety valve:

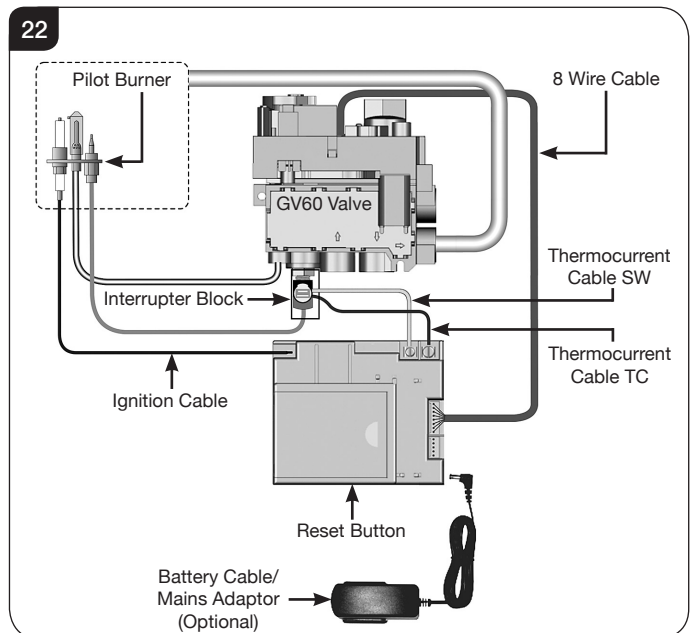
- 11.1 Undo the thermocouple from the interrupter block and remove the two interrupter leads.
- 11.2 Unscrew the interrupter block from the back of the valve.
- 11.3 Undo the silver magnetic valve retaining nut on the back of the valve.
- 11.4 Gently tap out the mag valve.
- 11.5 Replace with a new unit.
- 11.6 Reassemble in reverse order ensuring that the interrupter leads are connected correctly with the red tag lead nearest to the gas valve body.
- 11.7 Check for leaks.

## 12. Control Box

- 12.1 To replace the control box first remove the main control assembly, See Section 7.
- 12.2 Remove the two thermocurrent cables by removing the two screws, Diagram 22.
- 12.3 Remove the ignition lead, Diagram 22.
- 12.4 Remove the eight wire loom from the control box.
- 12.5 Remove the battery extension cable, Diagram 22.

The control box can now be replaced.

When replacing the sealing plate on the rear of the control cover use a suitable silicone sealant.



- 12.6 After replacing the control box you may need to reprogram the handset.

- Press and hold the reset button on the control box until you hear two signals. After the second longer signal:
- Release the reset button and within 20 seconds:
- Press the DOWN button on the handset until you hear two additional short signals confirming the new code is set.  
If there is a single long signal the code learning sequence has failed or the wiring is incorrect.

# Servicing Instructions - Replacing Parts

## 13. Main Injector

To change the main injector:

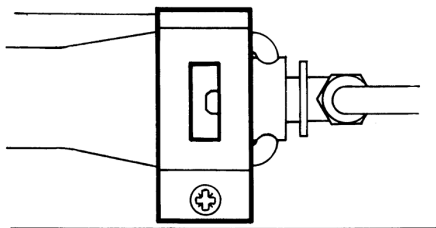
- 13.1 Undo the injector feed pipe.
- 13.2 Undo the lock nut from the injector and remove the silencer.
- 13.3 Replace with the correct size injector.
- 13.4 Check for leaks.

## 14. Primary Aeration Plate

**NOT ALL MODELS HAVE AERATION PLATES. REFER TO TECHNICAL SPECIFICATIONS, PAGES 8.**

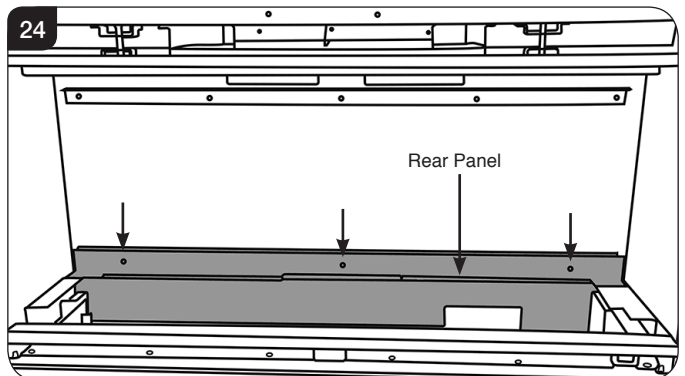
- 14.1 Remove the burner module as described in Replacing Parts Section 6.
- 14.2 Remove the fixing screw and slide the plate off the venturi.
- 14.3 Replace with the correct size plate and secure with the screw. Ensure the lower edge of the plate is located over the venturi flange, see Diagram 23.

23

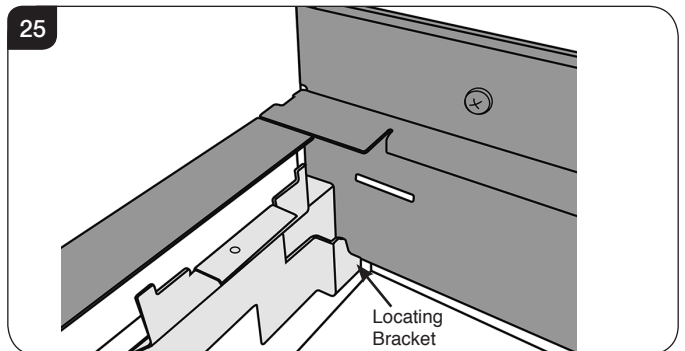


## 15. Debris Area Access

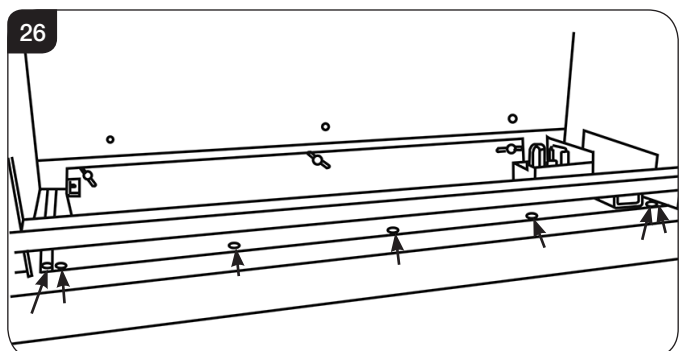
- 15.1 Remove the Steel frame (if fitted).
- 15.2 Remove the glass door assembly.
- 15.3 Remove the burner and splitter plate.
- 15.4 Isolate the gas supply.
- 15.5 Disconnect the isolating device from the inlet pipe on the appliance.
- 15.6 Remove the 3 screws from the rear panel, see Diagram 24.



- 15.7 Lift the panel to disengage the locating brackets, see Diagram 25.



- 15.8 Remove the screws from the front of the loose box, see Diagram 26.  
NOTE: Number of screws will vary depending on model.



# Servicing Instructions - Replacing Parts

- 15.9 Remove the three wing nuts and screws retaining the loose box, see Diagram 26.

To release the box from the main body:

- 15.10 Rotate the front of the box upwards and draw the box forward off the rear studs.
- 15.11 Ensure the gas pipe passes through the silicon seal in the base of the box.
- Any debris can now be removed through the aperture.
- 15.12 Replace in reverse order taking care not to damage the gas pipe when replacing the box.

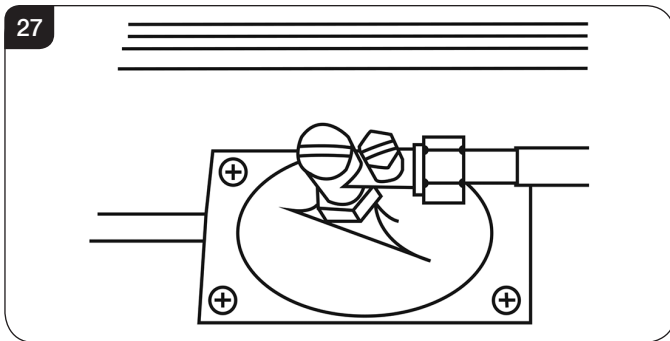
## 16. Changing Between Gas Types

A kit of parts is available for this - Contact your Gazco retailer for further information.

Always quote the Model number and Serial number when ordering any spare parts.

## 17. Pressure and leak testing the appliance

- 17.1 Follow Section 7, Main Control Assembly.
- 17.2 Access to the pressure test point can now be reached, see Diagram 27.

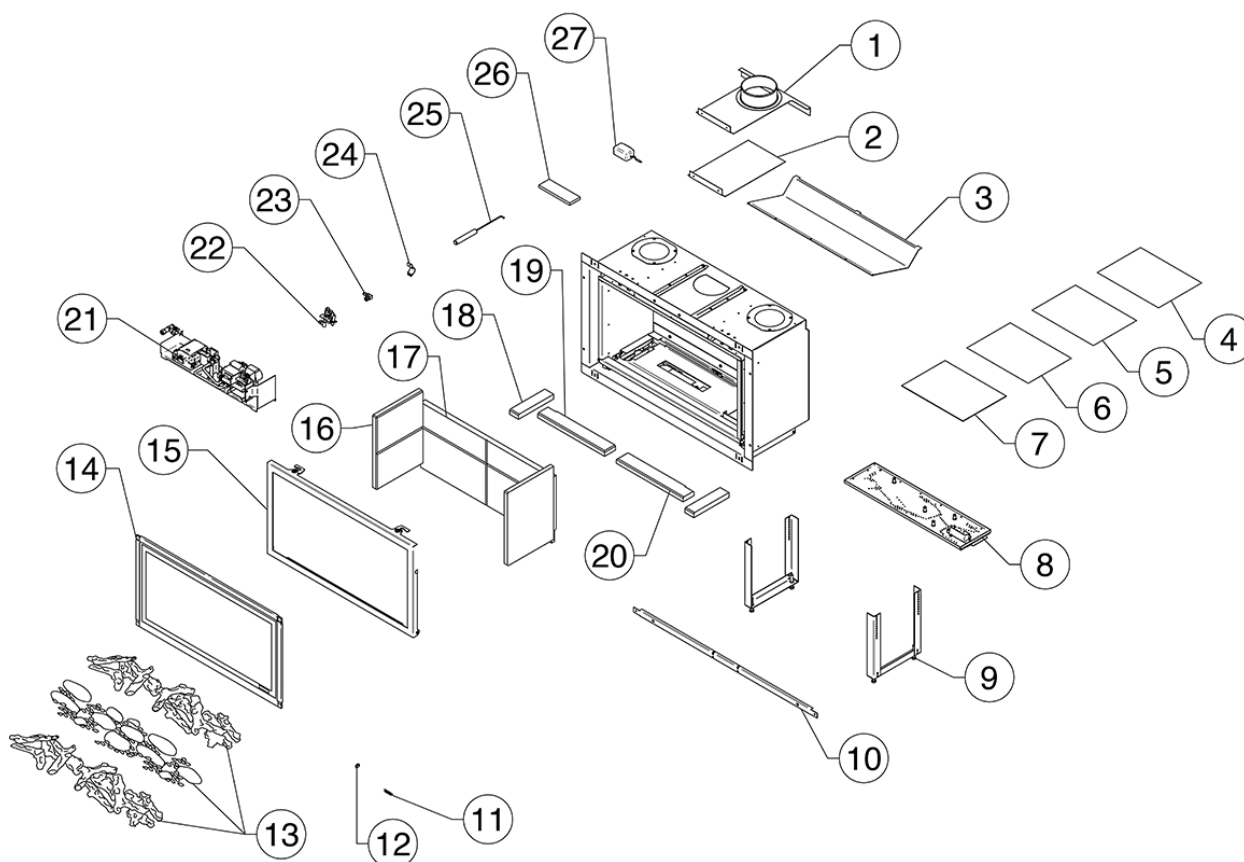


- 17.3 Refer to Installation Instructions, Section 7.53 to check gas pressure.
- 17.4 Light the appliance and spray any joints with leak detector fluid.
- 17.5 Tighten joints or replace as required.
- 17.6 To check the inlet working pressure, replace the control assembly and connect a manometer to the pressure test point, see Diagram 27. Replace the burner and relight the appliance. Operate the appliance at highest flame setting and check that the inlet pressure is in accordance with specifications detailed on page 8.



# Servicing Instructions - Replacing Parts

## 18. Spares List - Studio 1



No.	Component	Part Code		Qty.
		Natural Gas	LPG	
1	Spigot Mounting Plate	GZ6233		1
2	Top Blanking Plate	GZ6381		1
3	Top Baffle	GZ6227		1
4	Instructions & Fixing Kit	GZ6897		KIT
5	General Fixing Kit	GZ6567		KIT
6	Glass / Steel Fixing Kit	GZ6568		KIT
7	Profil Bauhaus Fixing Kit	GZ6569		KIT
8	Burner Assembly	GZ13562	GZ13588	1
9	Foot Levelling Assembly	GZ6246		1
10	Mounting Bracket	GZ6711		1
11	Glass Clip Bracket	GZ6361		2
12	Black Steel Edge Clip	FA0523		2
13	Log Set	CE1839		1
	Pebble & Stone Set	923-632		1
	Driftwood Set	923-019		1
14	Glass & Ropeseal Assembly	GZ8005		1
15	Door Assembly	GZ6829		1

No.	Component	Part Code		Qty.
		Natural Gas	LPG	
16	Side Panel - Vermiculite LH & RH	CE0676		2
	Side Panel - Black Reed LH & RH	CE1222		2
	Side Panel - Black Glass LH	GZ13073		1
	Side Panel - Black Glass RH	GZ13074		1
17	Back Panel - Vermiculite	CE0675		1
	Back Panel - Black Reed	CE1221		1
	Back Panel - Black Glass	GZ13071		1
18	Liner Base Front RH Piece - Black	CE1223		1
19	Liner Base Front LH Piece - Black	CE1220		1
20	Liner Base Side Piece - Black	CE1243		2
21	Engine Assembly	GZ13570N	GZ13570P	1
22	Pilot	PI0036	PI0037	1
23	Elbow Injector	IN0023 - Size 360	IN0025 - Size 180	1
24	Aeration Plate	GZ7608 - ID Letter Q	GZ2003 - ID Letter A	1
25	Door Tool	GZ6690		1
26	Embaglow	GZ8471		1
27	Mains Adapter	999-620		1



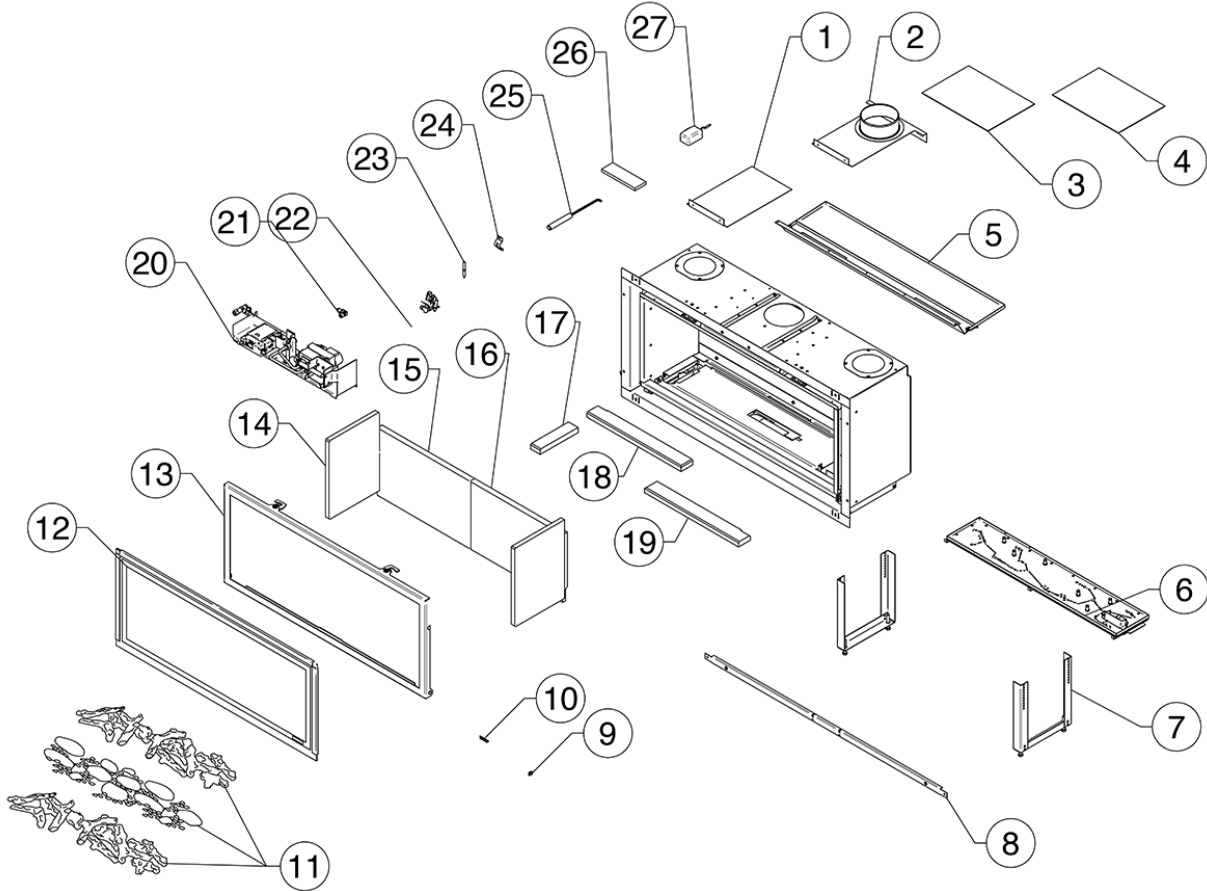
Due to continual technical improvements please check online or with your Gazco retailer for the most up to date parts lists.

Only use Genuine Gazco spares when servicing your appliance.

All of our essential spare parts and consumable items are available to purchase from our webshop at [www.gazcospares.com](http://www.gazcospares.com).

# Servicing Instructions - Replacing Parts

## 18. Spares List - Studio 2



No.	Component	Part Code		Qty.
		Natural Gas	LPG	
1	Top Blanking Plate	GZ6381		1
2	Spigot Mounting Plate	GZ6887		1
3	Instructions & Fixing Kit	GZ6897		KIT
4	General Fixing Kit	GZ6567		KIT
5	Top Baffle Assembly	GZ7035		1
6	Burner Assembly	GZ13566	GZ13574	1
7	Foot Levelling Assembly	GZ6246		2
8	Mounting Bracket	GZ6976		1
9	Steel Edge Clip	FA0523		2
10	Glass Clip Bracket	GZ6361		2
11	Log Set	CE1840		1
	Pebble & Stone Set	923-665		1
	Driftwood Set	923-037		1
12	Door Glass Assembly	GZ7360		1
13	Door Assembly	GZ7131		1
14	Side Panel - Vermiculite LH & RH	CE0676		2
	Side Panel - Black Reed LH & RH	CE1222		2
	Side Panel - Black Glass LH	GZ13073		1
	Side Panel - Black Glass RH	GZ13074		1

No.	Component	Part Code		Qty.
		Natural Gas	LPG	
15	Back Panel - LH Vermiculite	CE0688		1
	Back Panel - LH Black Reed	CE1229		1
	Back Panel - Black Glass (Full Width)	GZ13092		1
16	Back Panel - RH Vermiculite	CE0728		1
	Back Panel - RH Black Reed	CE1230		1
17	Liner Base Front RH Piece - Black	CE1232		1
18	Liner Base Front LH Piece - Black	CE1228		1
19	Liner Base Side Piece - Black	CE1243		2
20	Engine Assembly	GZ13571N	GZ13571P	1
21	Elbow Injector	IN0029 - Size 530	IN0058 - Size 150	1
22	Pilot	PI0036	PI0045	1
23	Electrode	PI0075		1
24	Aeration Plate	GZ2016 - ID Letter B	GZ4333 - ID Letter M	1
25	Door Tool	GZ6690		1
26	Embaglow	GZ8471		1
27	Mains Adaptor	999-620		1



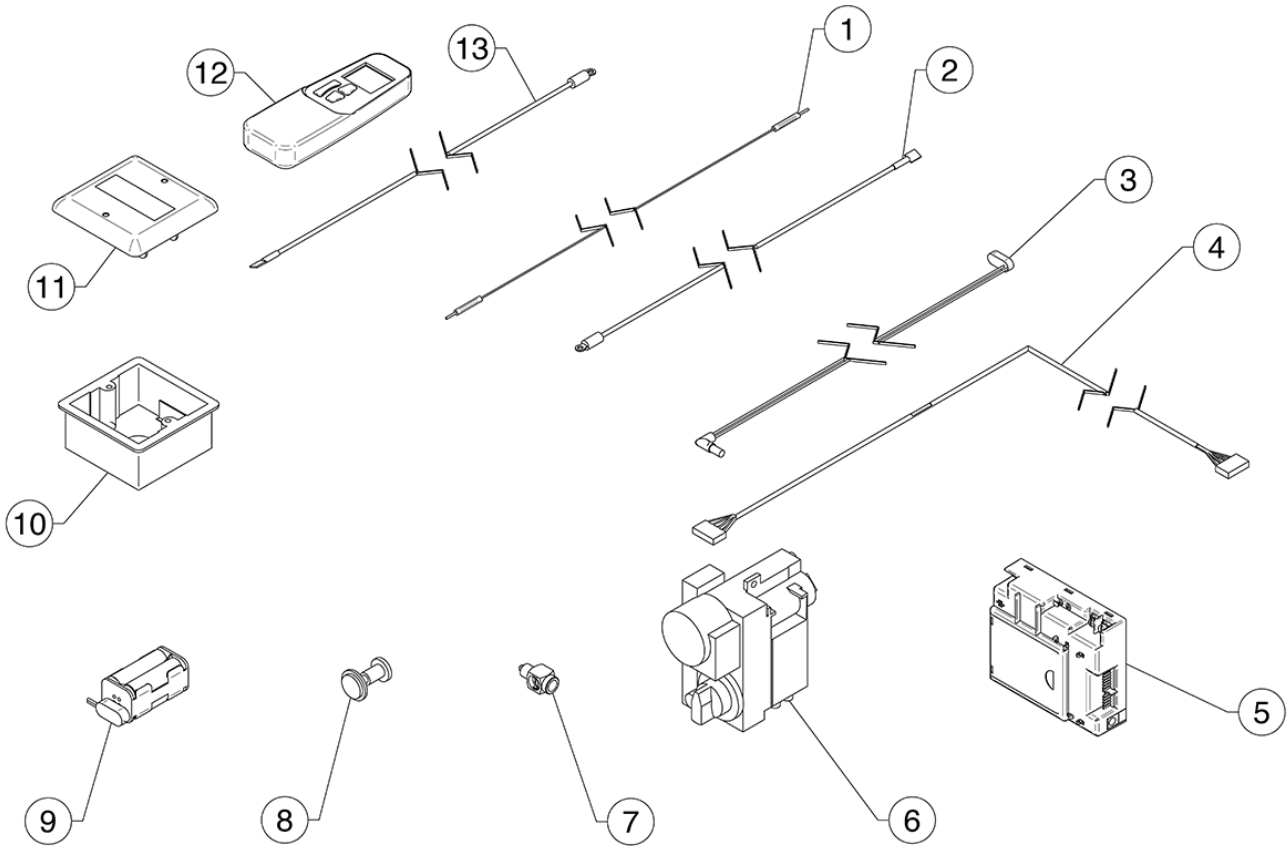
Due to continual technical improvements please check online or with your Gazco retailer for the most up to date parts lists.

Only use Genuine Gazco spares when servicing your appliance.

All of our essential spare parts and consumable items are available to purchase from our webshop at [www.gazcospares.com](http://www.gazcospares.com).

# Servicing Instructions - Replacing Parts

## 18. Spares List - Control Assembly



No.	Component	Part Code	Quantity
1	Ignition Cable	GC0125	1
2	Thermo-Current Cable	GC0136	1
3	3m Battery Cable	GC0138	1
4	360mm Connection Cable	GC0133	1
5	Receiver	EL0589	1
6	Gas Valve	GC0123K	1
7	Interrupter Block	GC0124	1
8	Mag Unit	GC0166	1
9	Battery Holder	EL0410	1
10	Wall Box	EL0409	1
11	Battery Access Cover	EL0591	1
12	Handset	EL0571	1
13	Thermo-Current Cable	EL0590	1



Due to continual technical improvements please check online or with your Gazco retailer for the most up to date parts lists.

Only use Genuine Gazco spares when servicing your appliance.

All of our essential spare parts and consumable items are available to purchase from our webshop at [www.gazcospares.com](http://www.gazcospares.com).

# Service Records

**1ST SERVICE**

Date of Service.....  
Next Service Due .....  
Signed .....  
Retailer's Stamp/GasSafe Registration Number

**3RD SERVICE**

Date of Service.....  
Next Service Due .....  
Signed .....  
Retailer's Stamp/GasSafe Registration Number

**5TH SERVICE**

Date of Service.....  
Next Service Due .....  
Signed .....  
Retailer's Stamp/GasSafe Registration Number

**7TH SERVICE**

Date of Service.....  
Next Service Due .....  
Signed .....  
Retailer's Stamp/GasSafe Registration Number

**9TH SERVICE**

Date of Service.....  
Next Service Due .....  
Signed .....  
Retailer's Stamp/GasSafe Registration Number

**2ND SERVICE**

Date of Service.....  
Next Service Due .....  
Signed .....  
Retailer's Stamp/GasSafe Registration Number

**4TH SERVICE**

Date of Service.....  
Next Service Due .....  
Signed .....  
Retailer's Stamp/GasSafe Registration Number

**6TH SERVICE**

Date of Service.....  
Next Service Due .....  
Signed .....  
Retailer's Stamp/GasSafe Registration Number

**8TH SERVICE**

Date of Service.....  
Next Due .....  
Signed .....  
Retailer's Stamp/GasSafe Registration Number

**10TH SERVICE**

Date of Service.....  
Next Service Due .....  
Signed .....  
Retailer's Stamp/GasSafe Registration Number

# Information Requirement - Gas Heaters

## Information Requirement for Gaseous Fuel Local Space Heater

Model	Studio 1 MKII CF NG	Studio 1 MKII CF LPG	Studio 2 MKII CF NG	Studio 2 MKII CF LPG
<b>Fuel</b>	Space Heating Emissions (NOx) - mg / kWh <sub>input</sub> (GCV)			
	130	130	130	130

<b>Heat Output</b>	Nominal Heat Output - $P_{nom}$	4.1kW	4.6kW	6.2kW	6.3kW
	Minimum Heat Output (indicative) - $P_{min}$	2.3kW	2.0kW	2.7kW	2.8kW

<b>Auxiliary Electricity Consumption</b>	At Nominal Heat Output - $e_{l_{max}}$	N/A	N/A	N/A	N/A
	At Minimum Heat Output - $e_{l_{min}}$	N/A	N/A	N/A	N/A
	In Standby Mode - $e_{l_{sb}}$	N/A	N/A	N/A	N/A

<b>Useful Efficiency (NCV)</b>	Useful Efficiency at nominal heat output - $\eta_{th,nom}$	72.0%	72.0%	81.0%	82.0%
	Useful Efficiency at minimum heat output (indicative) - $\eta_{th,min}$	63.3%	63.3%	67.2%	69.7%

<b>Permanent Pilot Flame Power requirement</b>	Permanent Pilot Flame Power requirement (if applicable) - $P_{pilot}$	N/A	N/A	N/A	N/A
--	---	-----	-----	-----	-----

Type of heat output/room temperature control				
Electronic room temperature control + day timer	Yes	Yes	Yes	Yes

Other control options (multiple selections possible)				
Room temperature control, with presence detection	No	No	No	No
Room temperature control, with open window detection	No	No	No	No
With distance control option	No	No	No	No
With adaptive start control	No	No	No	No
With working time limitation	No	No	No	No
With black bulb sensor	No	No	No	No

<b>Energy Efficiency Index</b>	<b>68.0%</b>	<b>68.0%</b>	<b>77.0%</b>	<b>78.0%</b>
<b>Energy Efficiency Class</b>	<b>E</b>	<b>E</b>	<b>C</b>	<b>C</b>

<b>Contact:</b>	Gazco Ltd, Osprey Road, Sowton Industrial Estate, Exeter, EX2 7JG
-----------------	---





**Gazco Limited, Osprey Road, Sowton Industrial Estate, Exeter, Devon, England EX2 7JG**  
**Technical Customer Services: (01392) 261950 Fax: (01392) 261951**

**E-mail: [technicalservices@gazco.com](mailto:technicalservices@gazco.com)**

A member of the Stovax Group  
E & O E